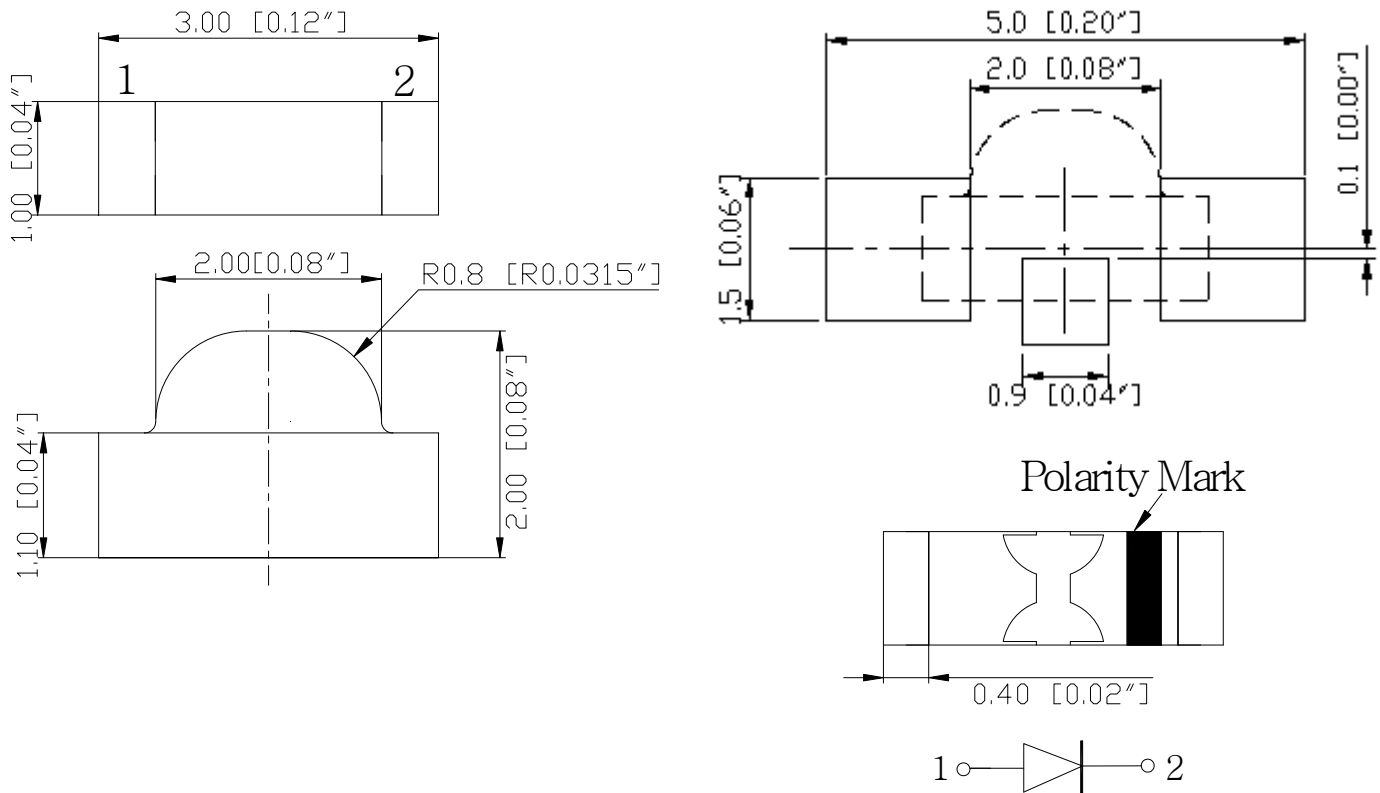


SPECIFICATION **CSR123W2C**

PACKAGE OUTLINES



- Notes:
1. All dimensions are in millimeters (inches).
 2. Tolerance is $\pm 0.25\text{mm}$ (0.01") unless otherwise noted.
 3. Specifications are subject to change without notice.

Part Number	Chip Material	Color of Emission	Lens Type	Viewing Angle
CSR123W2C	InGaN	White	Water Clear	150°



ChromeLED Corp. reserves the right to make changes at any time in order to supply the best product possible. The most current version of this document will always be available at: www.chromeled.com

ABSOLUTE MAXIMUM RATINGS
(TA=25°C)

Parameter	Symbol	Max Rating	Unit
Forward Current	IF	30	mA
Reverse Current @ 5V	IR	10	μA
Power Dissipation	Pd	111	mW
Operating Temperature Range	TOP	-40~+80	°C
Storage Temperature Range	TSTG	-40~+85	°C
Peak Pulsing Current (1/10 duty f = 10KHz)	IFP	125	mA
Soldering Temperature	TSOL	Max 260°C for 5 sec Max	

OPTICAL-ELECTRICAL CHARACTERISTICS
(TA=25°C)

Parameter	Symbol	Test Condition	Value			Unit
			Min	Typ	Max	
Luminous Intensity	Iv	IF = 20mA	320	540	-	mcd
Forward Voltage	VF	IF = 20mA	-	3.1	3.7	V
Reverse Leakage Current	IR	VR = 5V	-	-	10	μA
Viewing Angle at 50% Iv	2θ1/2	IF = 20mA	-	150	-	Deg
CIE Coordinates	X	IF = 20mA	-	0.26	-	-
	Y	IF = 20mA	-	0.24	-	-

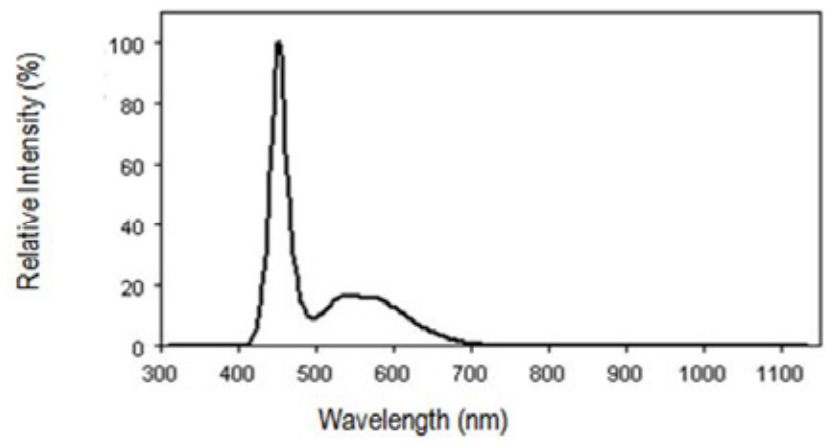
*Tolerance of viewing angle: -10 / +5 deg.



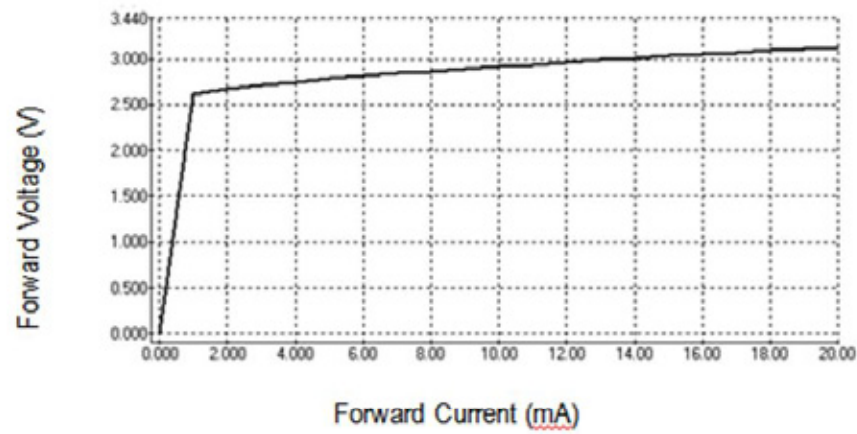
ChromeLED Corp. reserves the right to make changes at any time in order to supply the best product possible. The most current version of this document will always be available at: www.chromeled.com

OPTICAL CHARACTERISTIC CURVES

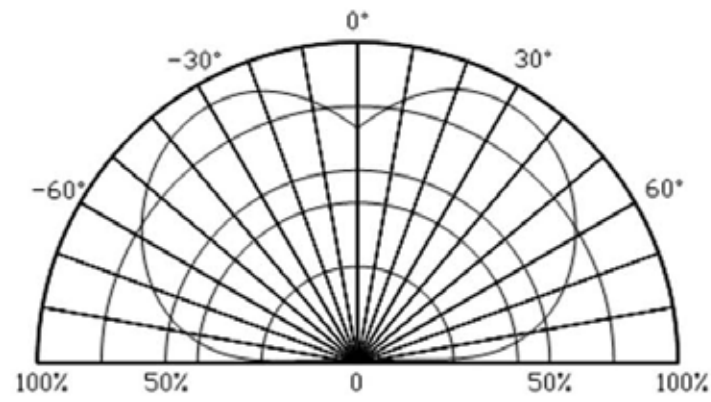
Relative Intensity vs. Wavelength



Forward Current vs. Forward Voltage



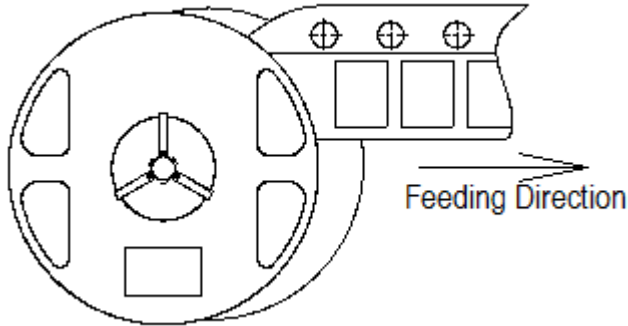
Directive Characteristics



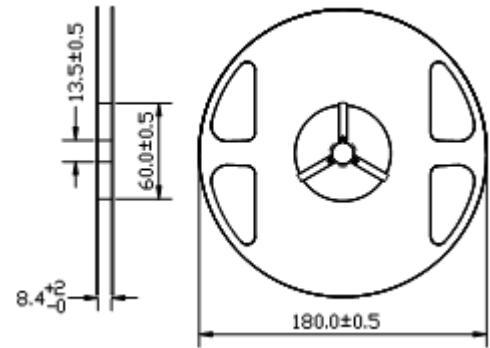
ChromeLED Corp. reserves the right to make changes at any time in order to supply the best product possible. The most current version of this document will always be available at: www.chromeled.com

PACKAGING SPECIFICATION

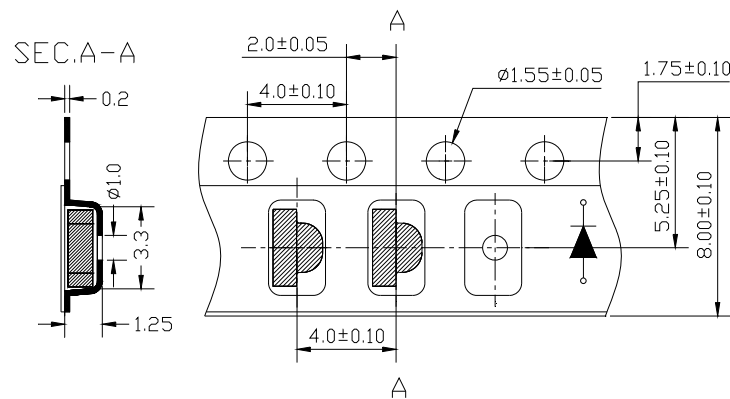
- Feeding Direction



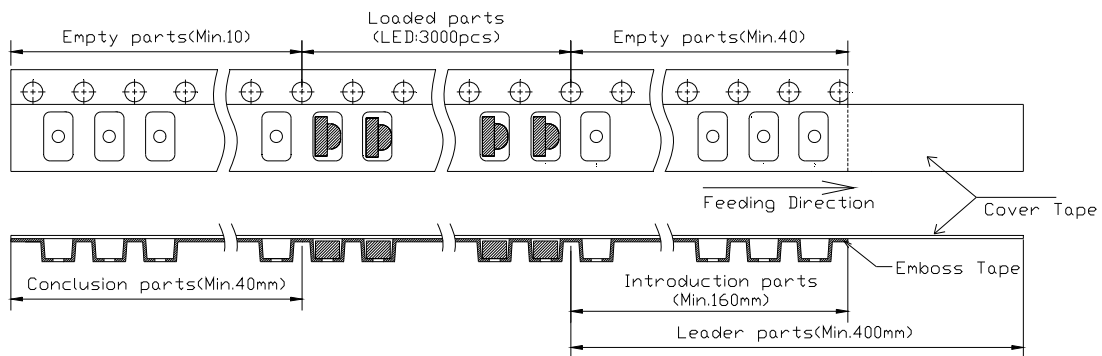
- Dimensions of Reel (unit: mm)



- Dimensions of Tape (unit: mm)



- Arrangement of Tape



Notes:

1. Empty component pockets are sealed with top cover tape
2. Maximum number of missing lamps is two
3. Cathode is oriented towards the tape sprocket hole
4. 3,000 pcs/Reel

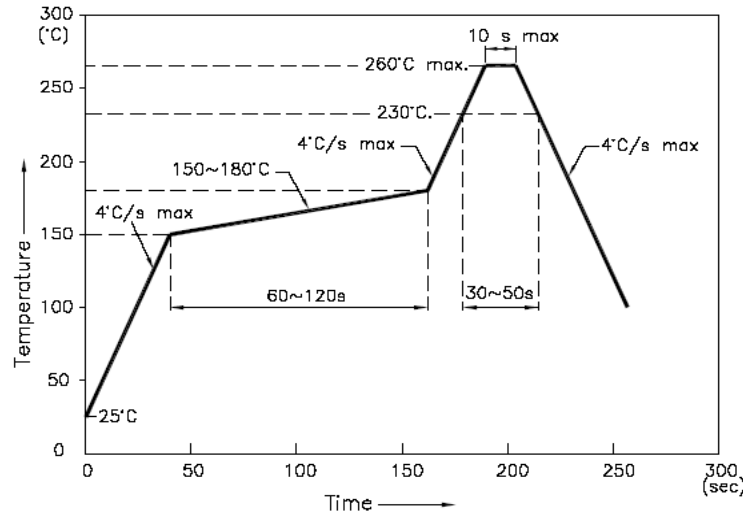


ChromeLED Corp. reserves the right to make changes at any time in order to supply the best product possible. The most current version of this document will always be available at: www.chromeled.com

SOLDERING CONDITIONS

REFLOW PROFILE

- Reflow Temp/Time



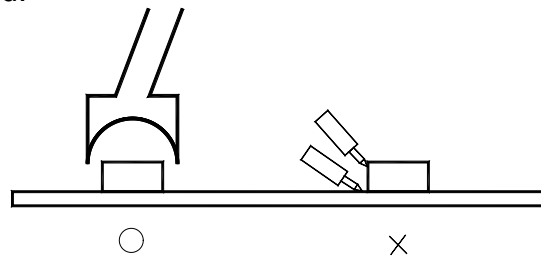
- We Recommend the reflow temperature 245 °C (± 5 °C). The maximum soldering temperature should be limited to 260 °C.
- Don't cause stress to epoxy resin while it is exposed to high temperature.
- Number of reflow process shall be 2 times or less.

- Soldering Iron

Basic spec is ≤ 5 sec when 260 °C. If temperature is higher, time should be shorter (+10 °C \rightarrow 1sec). Power dissipation of iron should be smaller than 20W and temperature should be controllable. Surface temperature of the device should be under 230 °C.

- Rework

- Customer must finish rework within 5 sec under 260 °C.
- The head of iron cannot touch copper foil.
- Twin-head type is preferred.



ChromeLED Corp. reserves the right to make changes at any time in order to supply the best product possible. The most current version of this document will always be available at: www.chromeled.com