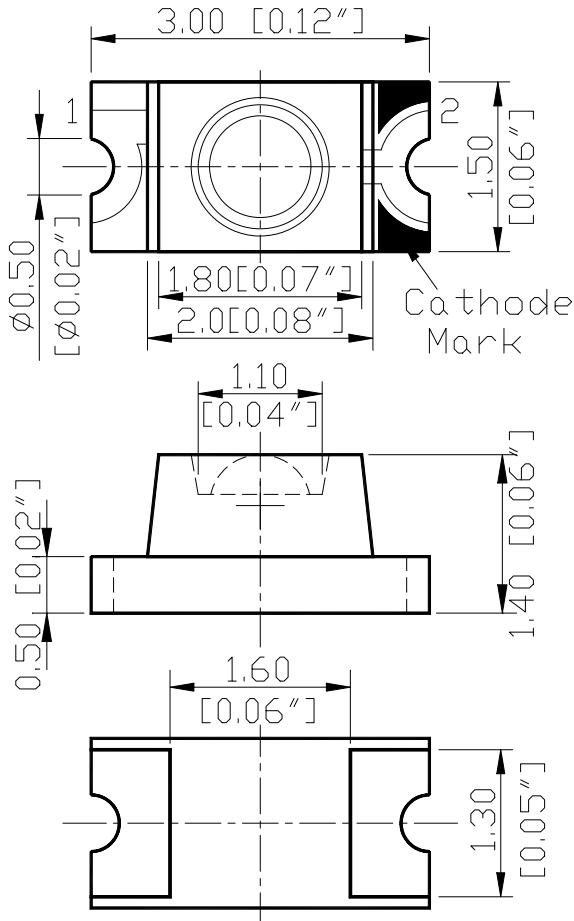
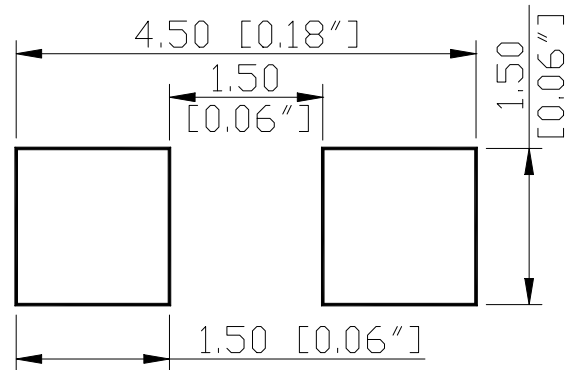


SPECIFICATION **CSL126AA4C**
PACKAGE OUTLINES


Cathode Mark

RECOMMEND PAD LAYOUT


| ITEM | MATERIALS |
|---------------|-------------------|
| Resin (Mold) | Epoxy |
| Lens Color | Water Transparent |
| Dice | AlGaInP/GaAs |
| Emitted Color | Orange |

Notes:

- All dimensions are in millimeters (inches).
- Tolerance is $\pm 0.25\text{mm}$ (0.01") unless otherwise noted.
- Specifications are subject to change without notice.



| Part Number | Chip Material | Color of Emission | Lens Type | Viewing Angle |
|-------------|---------------|-------------------|-------------|---------------|
| CSL126AA4C | InGaAlP | Amber | Water Clear | 40° |



ChromeLED Corp. reserves the right to make changes at any time in order to supply the best product possible. The most current version of this document will always be available at: www.chromeled.com

ABSOLUTE MAXIMUM RATINGS
(TA=25°C)

| Parameter | Symbol | Max Rating | Unit |
|--|------------------|-------------------------|------|
| Forward Current | I _F | 30 | mA |
| Reverse Current @ 5V | I _R | 10 | μA |
| Power Dissipation | P _d | 75 | mW |
| Operating Temperature Range | T _{OP} | -40~+80 | °C |
| Storage Temperature Range | T _{STG} | -40~+85 | °C |
| Peak Pulsing Current (1/10 duty f = 10KHz) | I _{FP} | 125 | mA |
| Soldering Temperature | T _{SOL} | Max 260°C for 5 sec Max | |

OPTICAL-ELECTRICAL CHARACTERISTICS
(TA=25°C)

| Parameter | Symbol | Test Condition | Value | | | Unit |
|-------------------------------------|-------------------|-----------------------|-------|-----|-----|------|
| | | | Min | Typ | Max | |
| Luminous Intensity | I _v | I _F = 20mA | 400 | 670 | - | mcd |
| Forward Voltage | V _F | I _F = 20mA | - | 2.0 | 2.5 | V |
| Reverse Leakage Current | I _R | V _R = 5V | - | - | 10 | μA |
| Viewing Angle at 50% I _v | 2θ _{1/2} | I _F = 20mA | - | 40 | - | Deg |
| Peak Wavelength | λ _P | I _F = 20mA | - | 610 | - | nm |
| Dominant Wavelength | λ _D | I _F = 20mA | - | 605 | - | nm |

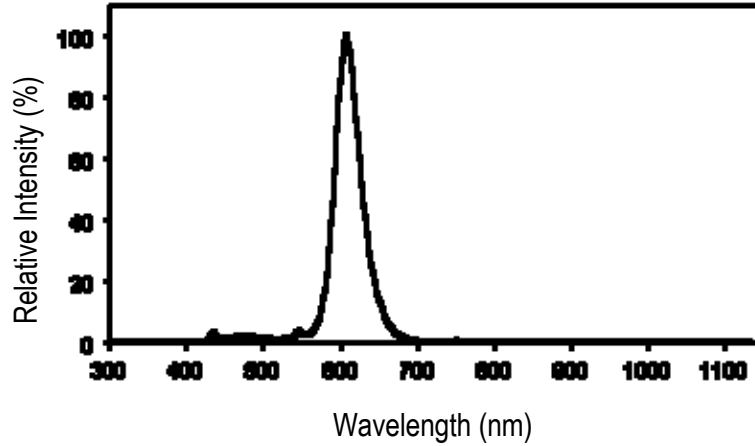
*Tolerance of viewing angle: -10 / +5 deg.



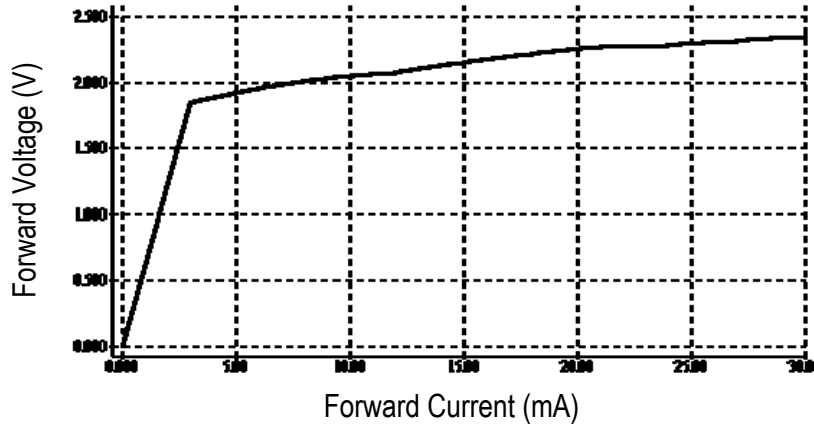
ChromeLED Corp. reserves the right to make changes at any time in order to supply the best product possible. The most current version of this document will always be available at: www.chromeled.com

OPTICAL CHARACTERISTIC CURVES

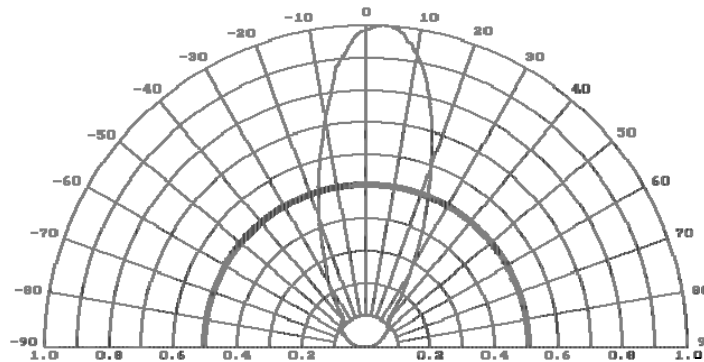
Relative Intensity vs. Wavelength



Forward Current vs. Forward Voltage



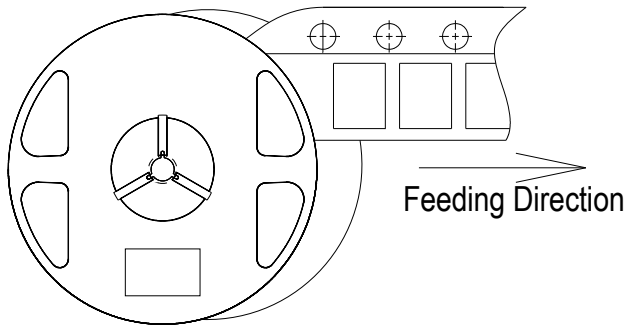
Directive Characteristics



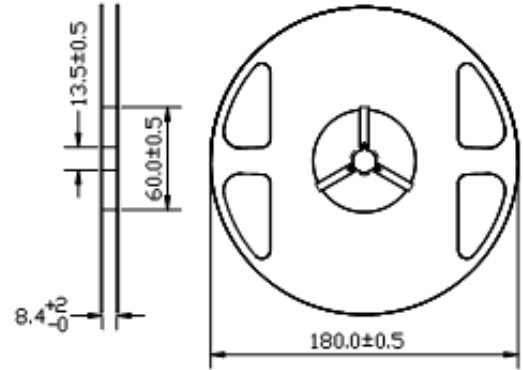
ChromeLED Corp. reserves the right to make changes at any time in order to supply the best product possible. The most current version of this document will always be available at: www.chromeled.com

PACKAGING SPECIFICATION

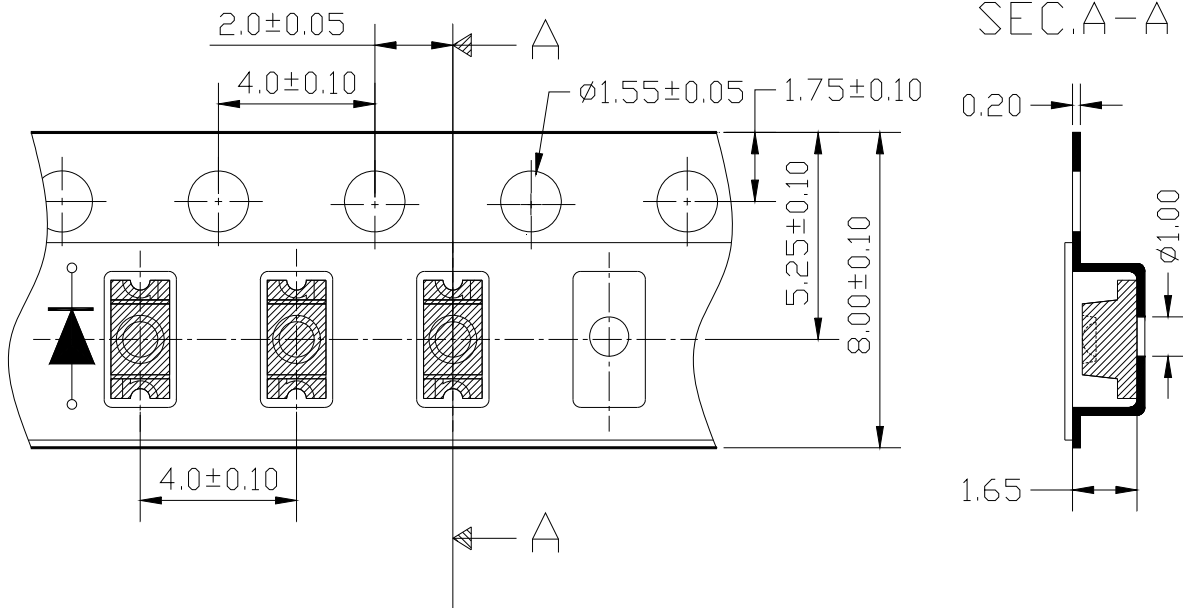
- Feeding Direction



- Dimensions of Reel (Unit: mm)



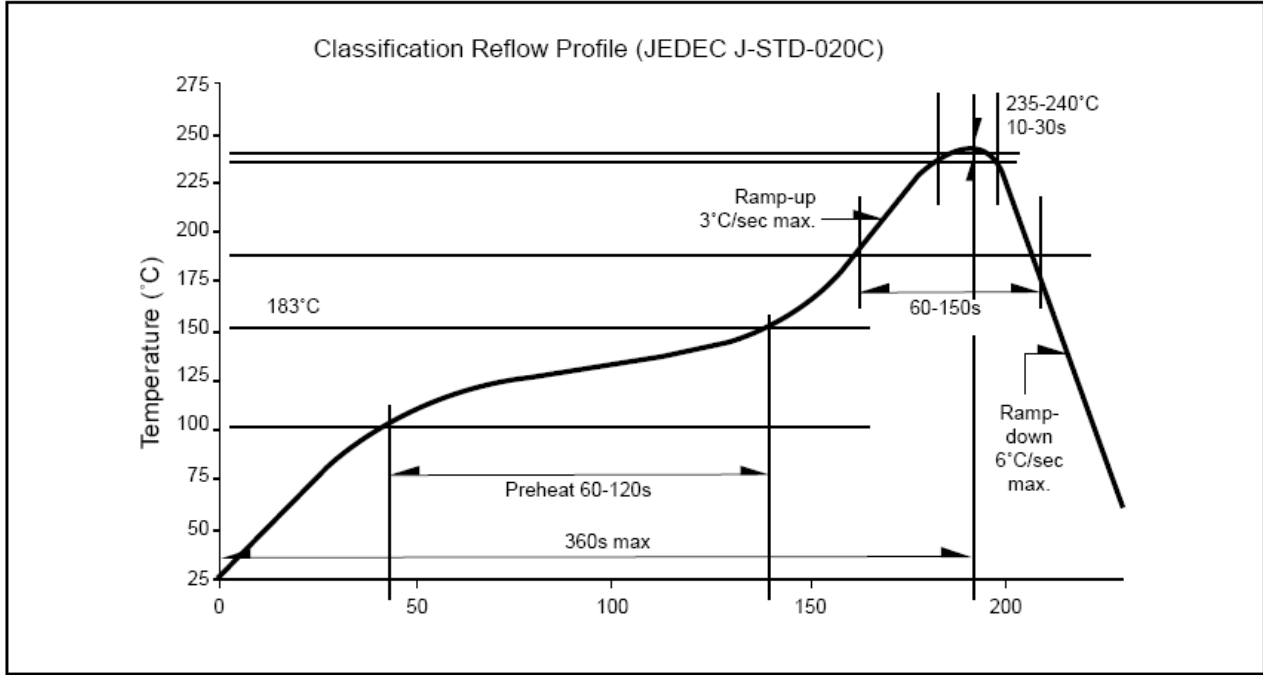
- Dimensions of Tape (Unit: mm)



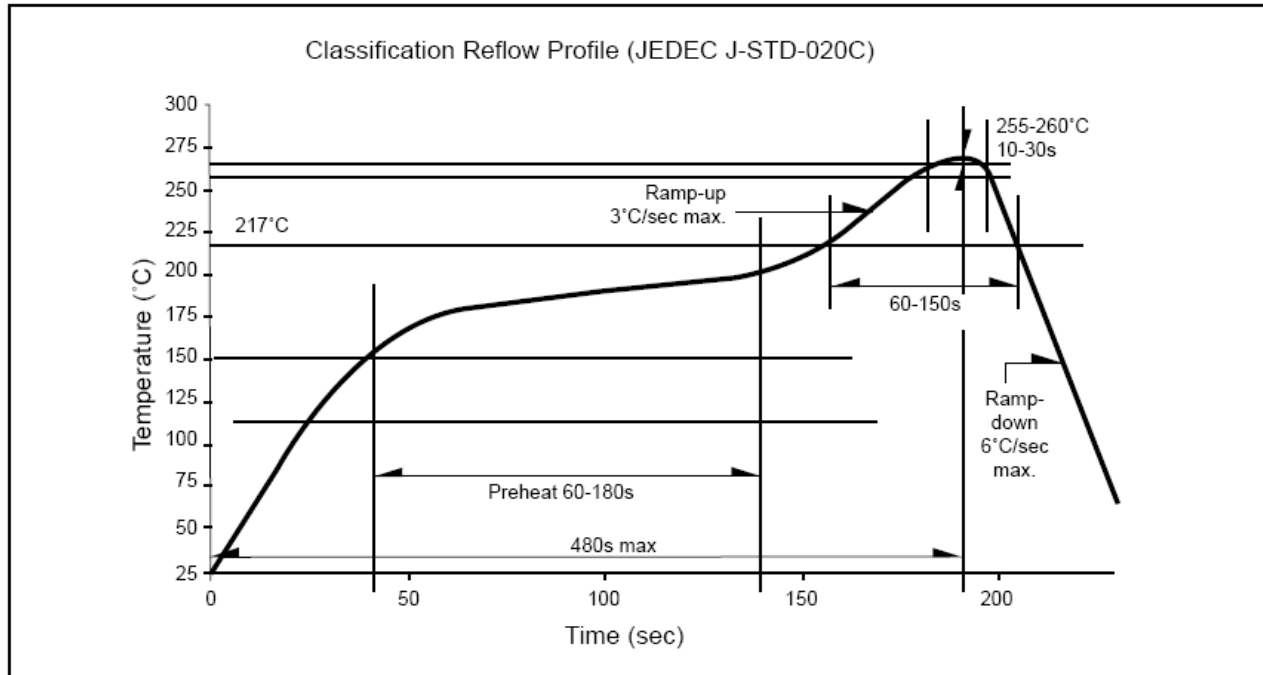
ChromeLED Corp. reserves the right to make changes at any time in order to supply the best product possible. The most current version of this document will always be available at: www.chromeled.com

SOLDERING CONDITIONS

RECOMMENDED Sn-PB IR-Reflow Soldering Profile



RECOMMENDED Pb-Free Soldering Profile



ChromeLED Corp. reserves the right to make changes at any time in order to supply the best product possible. The most current version of this document will always be available at: www.chromeled.com