

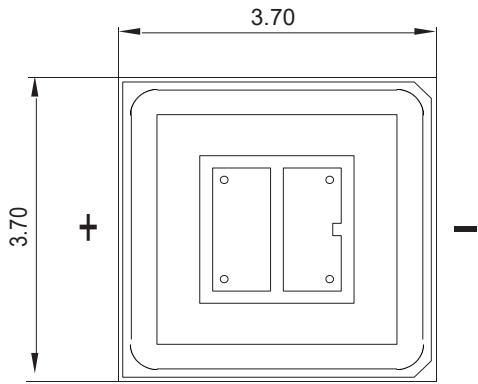
SPECIFICATION
CSHDF1414UV275QC
PACKAGE OUTLINES


Fig.1-1 Top view 正面 ☒☒

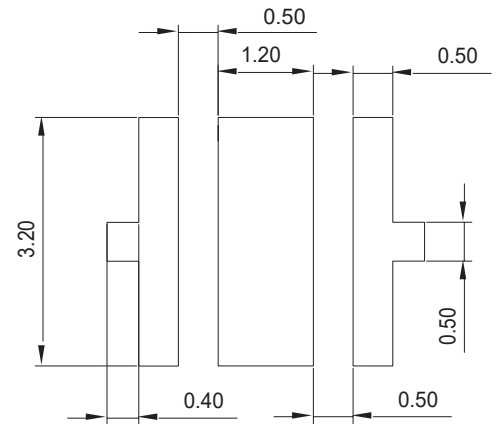


Fig.1-5 Soldering patterns 推荐 ☒☒

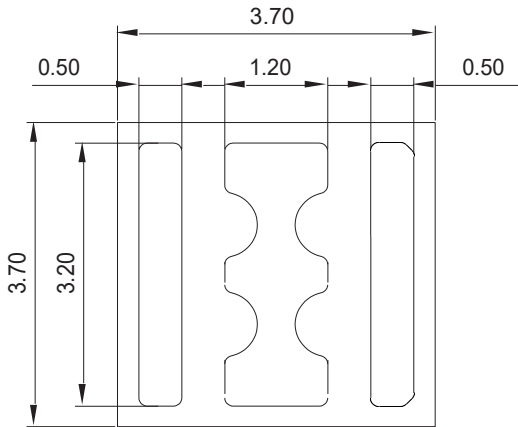


Fig.1-3 Bottom view 背面 ☒☒

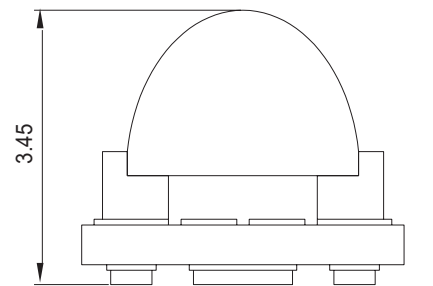
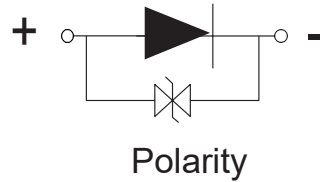


Fig.1-2 Side view ☒面☒☒

Notes:

1. All dimensions are in millimeters (inches).
2. Tolerance is $\pm 0.25\text{mm}$ (0.01") unless otherwise noted.
3. Specifications are subject to change without notice.

Part Number	Chip Material	Color of Emission	Lens Type	Viewing Angle
CSHDF1414UV275QC	InGaN	Ultraviolet	Water Clear	60°



ChromeLED Corp. reserves the right to make changes at any time in order to supply the best product possible. The most current version of this document will always be available at: www.chromeled.com

ABSOLUTE MAXIMUM RATINGS
(TA=25°C)

Parameter	Symbol	Max Rating	Unit
Peak Forward Current	IFP	100	mA
Reverse Voltage	VR	5	V
Power Dissipation	Pd	0.8	W
Operating Temperature Range	TOP	-40~+45	°C
Storage Temperature Range	TSTG	-40~+80	°C
Soldering Temperature	TSOL	Max 260°C for 5 sec Max	

OPTICAL-ELECTRICAL CHARACTERISTICS
(TA=25°C)

Parameter	Symbol	Test Condition	Value			Unit
			Min	Typ	Max	
Radiant Flux	ΦE	IF = 50mA	3	5	-	mW
		IF = 80mA	6	8	-	mW
		IF = 100mA	8	10	-	mW
Forward Voltage	VF	IF = 50mA	-	6.1	7.5	V
Viewing Angle	2θ1/2	IF = 50mA	-	60	-	deg
Thermal Resistance	RTHJ-S	IF = 50mA	-	45	-	C/W

*Tolerance of viewing angle: -10 / +5 deg.



ChromeLED Corp. reserves the right to make changes at any time in order to supply the best product possible. The most current version of this document will always be available at: www.chromeled.com

OPTICAL CHARACTERISTIC CURVES

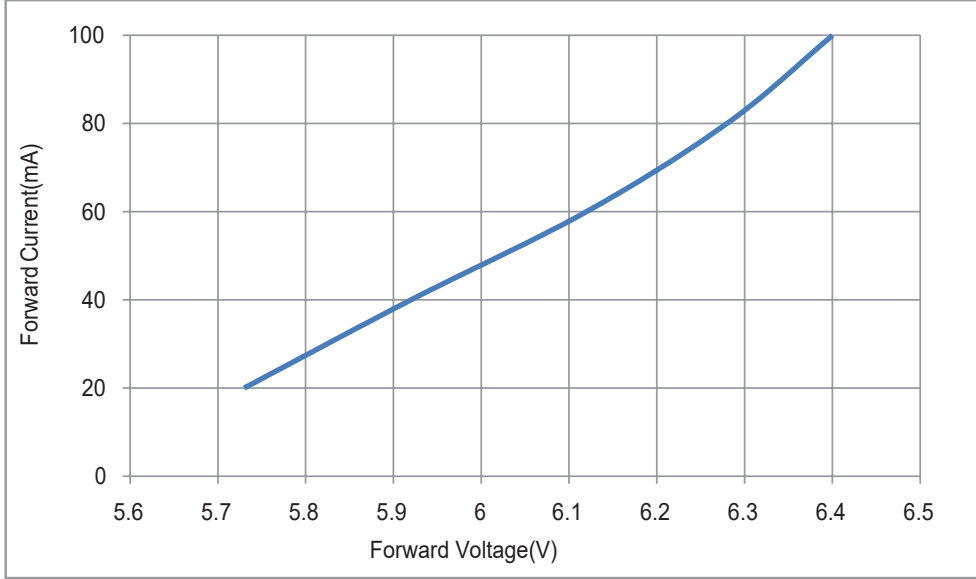


Fig.1- Forward Voltage Vs. Forward Current 伏安特性曲线

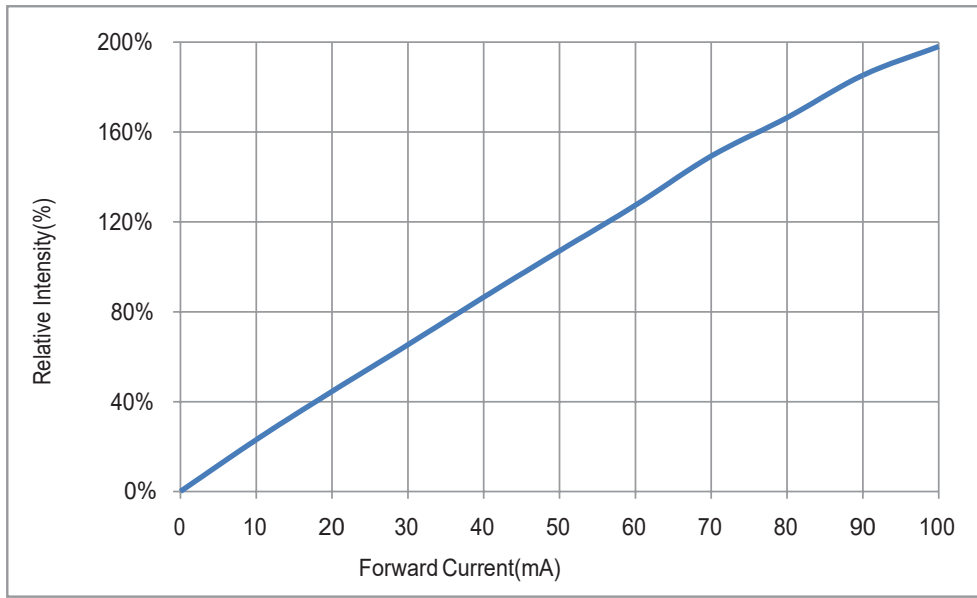


Fig.2- Forward Current Vs. Relative Power 正向流与相对光功率特性曲线



ChromeLED Corp. reserves the right to make changes at any time in order to supply the best product possible. The most current version of this document will always be available at: www.chromeled.com

OPTICAL CHARACTERISTIC CURVES

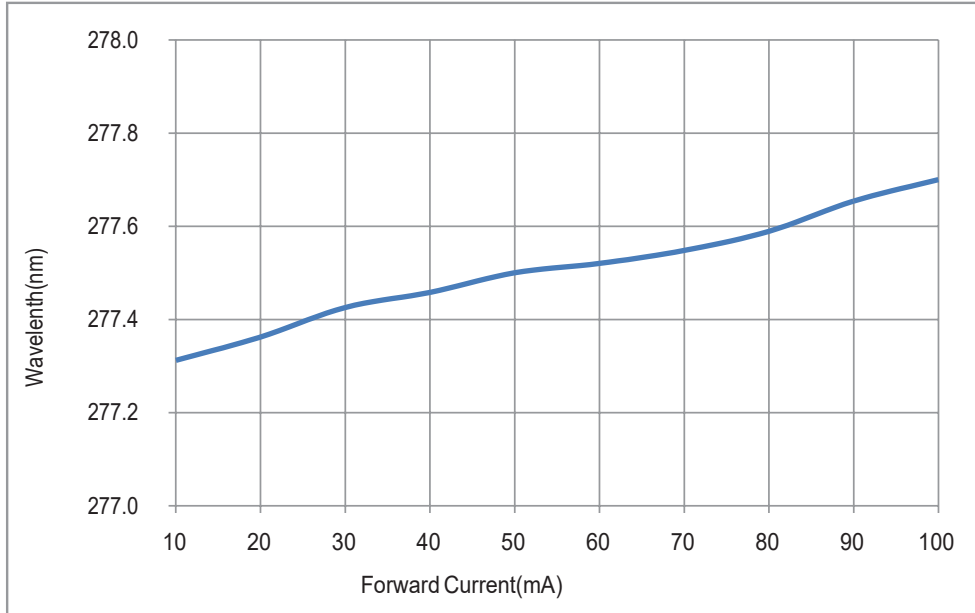


Fig.3-Peak Wavelength Vs. Forward Current 正向流与峰波曲线

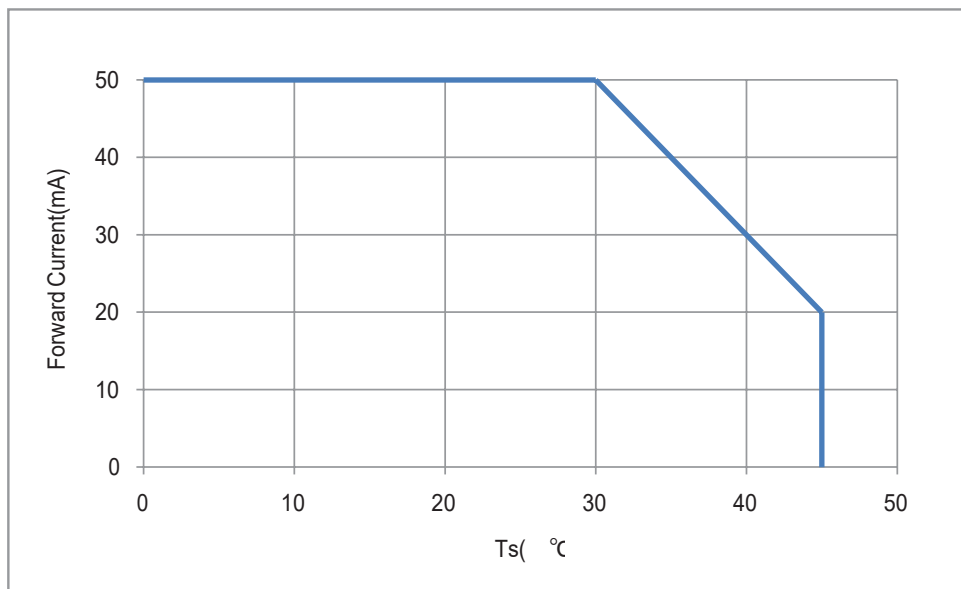


Fig.4-Ts Temperature VS. Forward Current 温度与正向流特性曲线



ChromeLED Corp. reserves the right to make changes at any time in order to supply the best product possible. The most current version of this document will always be available at: www.chromeled.com

OPTICAL CHARACTERISTIC CURVES

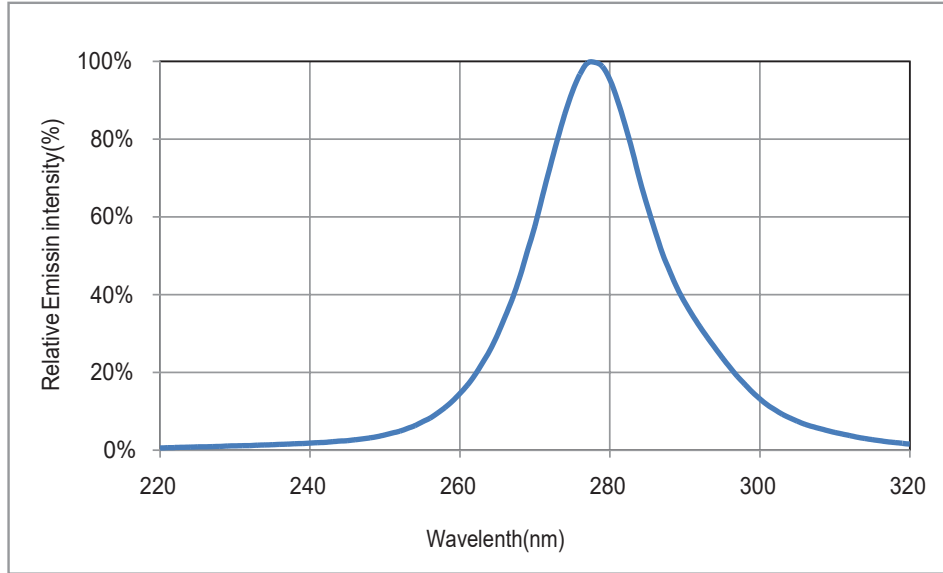


Fig.5-Spectrum Distribution 光谱分布特性曲线

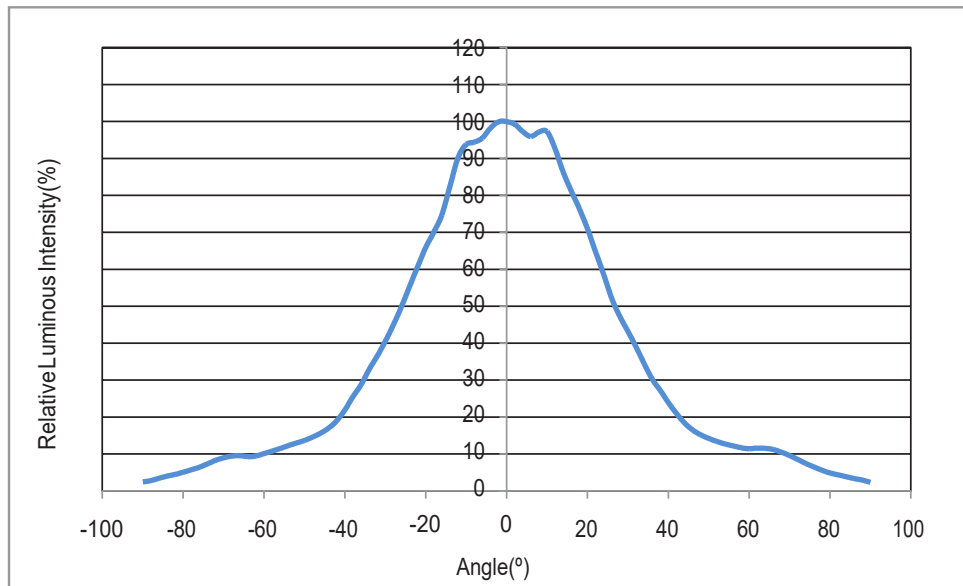


Fig.6- Radiation Diagram 射光特性曲线



ChromeLED Corp. reserves the right to make changes at any time in order to supply the best product possible. The most current version of this document will always be available at: www.chromeled.com

PACKAGING SPECIFICATION

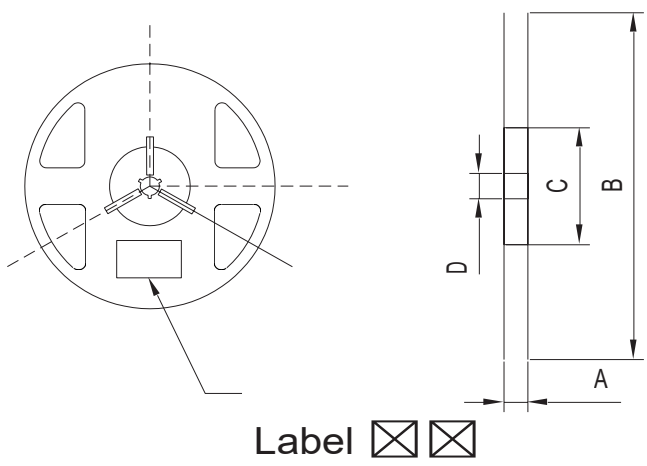
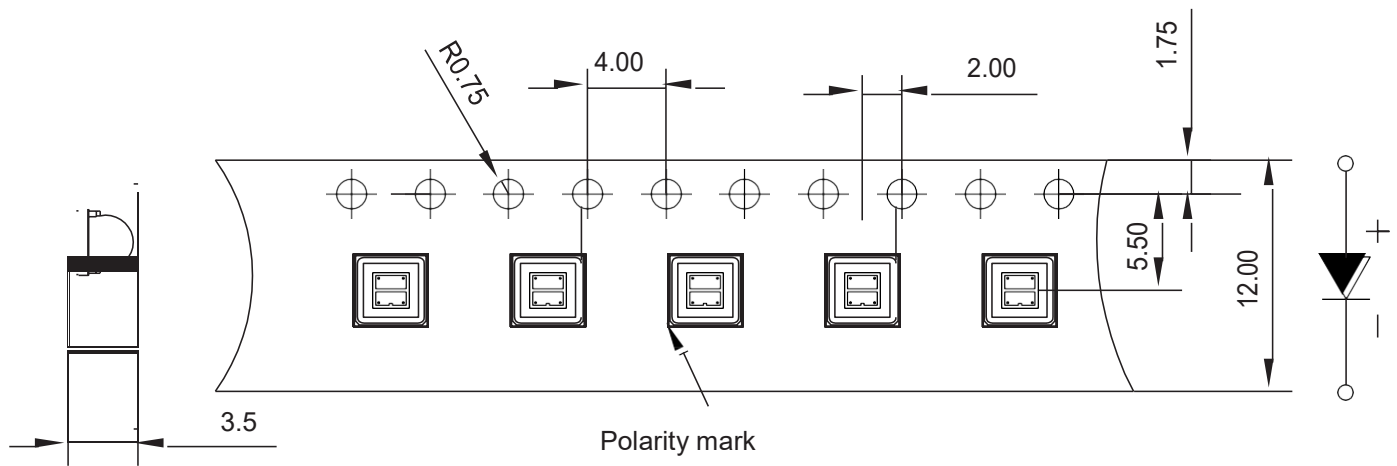


Table 2-1 Reel Dimension 卷盘尺寸

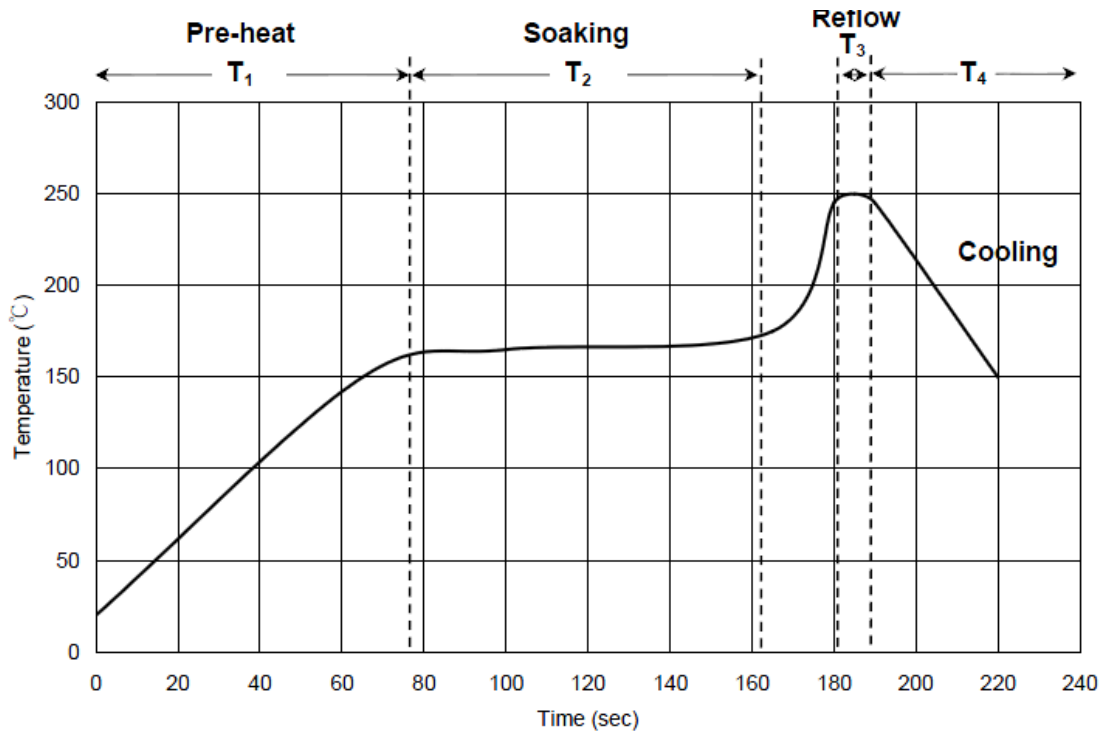
A	12±0.1mm
B	178±1mm
C	60±1mm
D	13.0±0.5mm



ChromeLED Corp. reserves the right to make changes at any time in order to supply the best product possible. The most current version of this document will always be available at: www.chromeled.com

SOLDERING CONDITIONS

- Recommended soldering profile



T1	Ramp up rate	1.0 ~ 3.0 °C/sec
	Pre-heat time	50~80 sec
T2	Soaking temperature	155~185°C
	Dwell time during soaking	60~120 sec
T3	Reflow temperature	240~250°C
	Reflow time	10 sec Max
	Ramp up rate during reflow	1.2~2.3 °C/sec
T4	Cooling	1.0~6.0 °C/sec

Notes:

1. Recommend using Sn96Ag3Cu0.5 lead free solder
2. Use alcohol-based cleaning solvents such as isopropyl alcohol to clean LED if necessary



ChromeLED Corp. reserves the right to make changes at any time in order to supply the best product possible. The most current version of this document will always be available at: www.chromeled.com