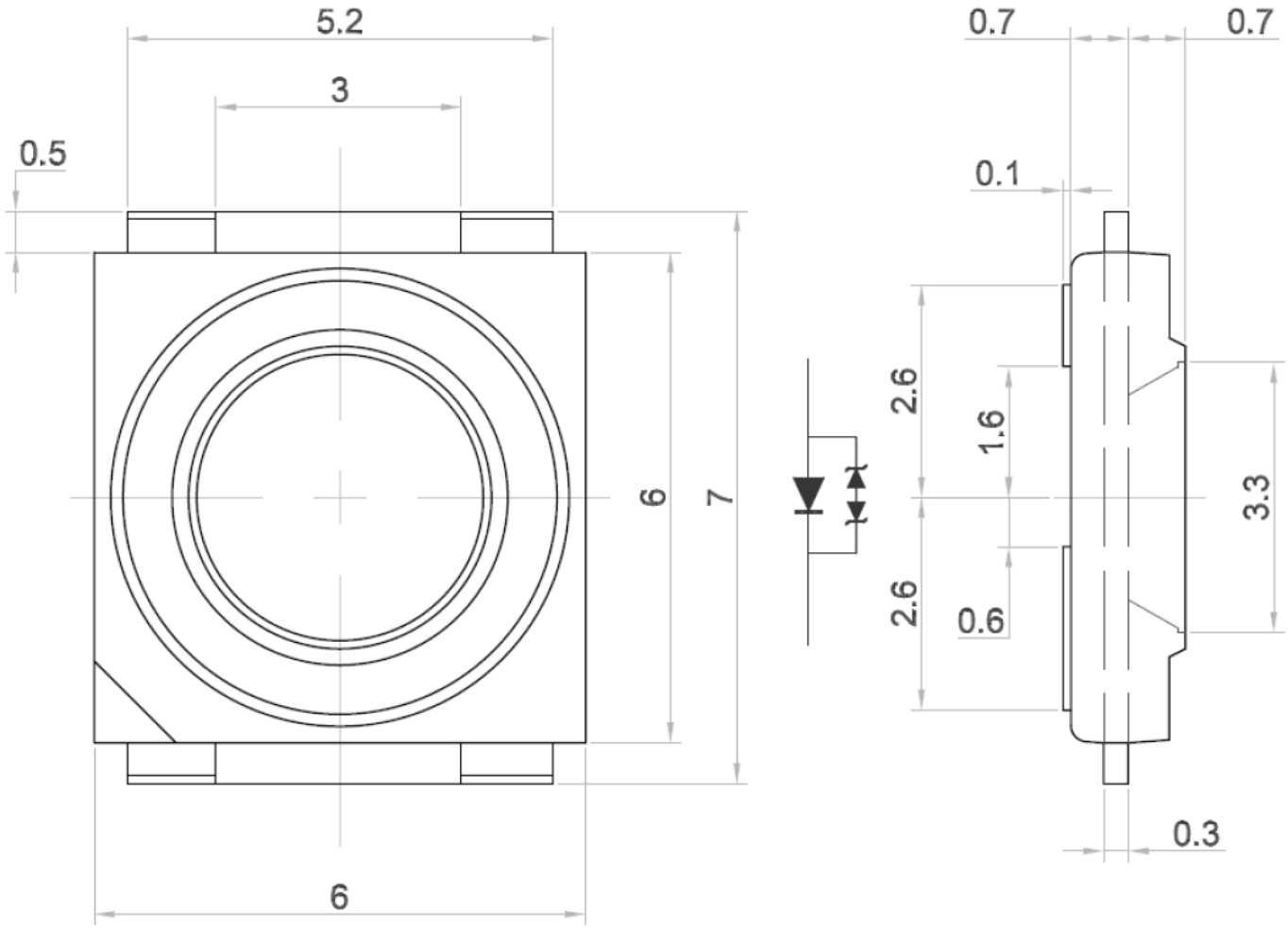


**SPECIFICATIONS** **CSH66B3ZC**
**PACKAGE OUTLINES**


- Notes:
1. All dimensions are in millimeter (inches).
  2. Tolerance is  $\pm 0.25\text{mm}$  (0.01") unless otherwise noted.
  3. Specifications are subject to change without notice.

Part Number	Chip Material	Color of Emission	Lens Type	Viewing Angle
CSH66B3ZC	InGaN	Blue	Water Clear	120°



ChromeLED Corp. reserves the right to make changes at any time in order to supply the best product possible. The most current version of this document will always be available at: [www.chromeled.com](http://www.chromeled.com)

**ABSOLUTE MAXIMUM RATINGS**
**(TA=25°C)**

Parameter	Symbol	Max Rating	Unit
Forward Current	I <sub>F</sub>	350	mA
ESD Threshold (HBM)	V	2000	V
Reverse Voltage	V	NA	V
Junction Temperature	T <sub>J</sub>	120	°C
Operating Temperature Range	T <sub>OP</sub>	-40~+100	°C
Storage Temperature Range	T <sub>STG</sub>	-40~+100	°C
Peak Pulsing Current (1/10 duty f = 10KHz)	I <sub>FP</sub>	1000	mA
Soldering Temperature	T <sub>SOL</sub>	Max 260°C for 5 sec Max	

**OPTICAL-ELECTRICAL CHARACTERISTICS**
**(TA=25°C)**

Parameter	Symbol	Test Condition	Value			Unit
			Min	Typ	Max	
Peak Wavelength	λ <sub>P</sub>	I <sub>F</sub> = 350mA	-	465	-	-
Dominant Wavelength	λ <sub>D</sub>	I <sub>F</sub> = 350mA	-	470	-	-
Reverse Leakage Current	I <sub>R</sub>	V <sub>R</sub> = 12V	-	-	-	μA
Forward Voltage	V <sub>F</sub>	I <sub>F</sub> = 350mA	-	3.5	3.8	V
Luminous Intensity	I <sub>V</sub>	I <sub>F</sub> = 350mA	4500	7150	-	mcd

\*Tolerance of viewing angle: -10 / +5 deg.

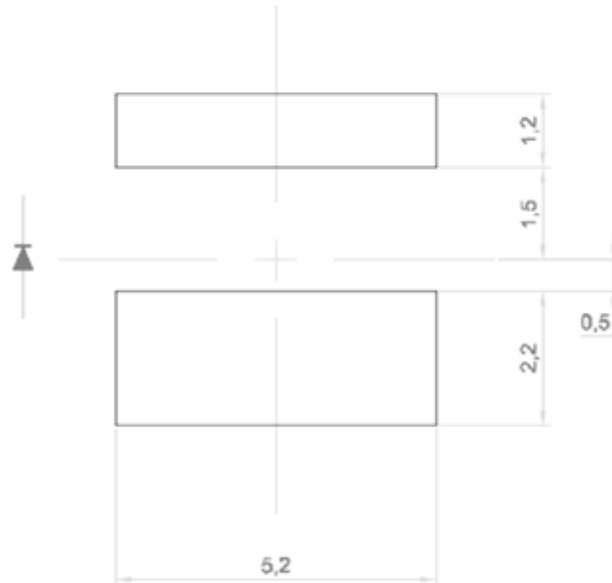


ChromeLED Corp. reserves the right to make changes at any time in order to supply the best product possible. The most current version of this document will always be available at: [www.chromeled.com](http://www.chromeled.com)

## RECOMMENDED SOLDER PAD

### SOLDER PAD DESIGN:

Note: Unit to unit pitching must not be less than 25mm. Metal core circuit board (MCPCB) is highly recommended for high density applications. Please consult sales and marketing for additional information.

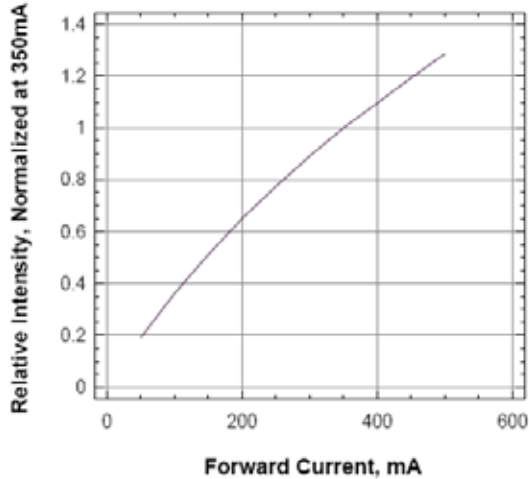


ChromeLED Corp. reserves the right to make changes at any time in order to supply the best product possible. The most current version of this document will always be available at: [www.chromeled.com](http://www.chromeled.com)

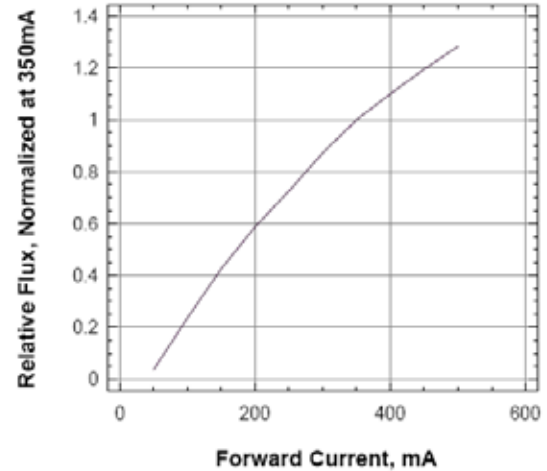
## OPTICAL CHARACTERISTIC CURVES

### TYPICAL ELECTRO-OPTICAL CHARACTERISTIC CURVES

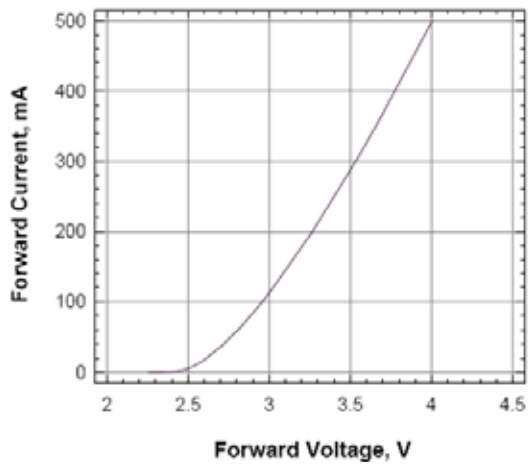
Wavelength Vs Forward Current



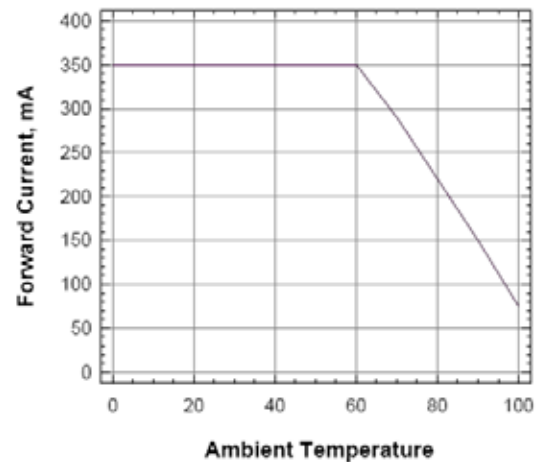
Relative Flux Vs Forward Current



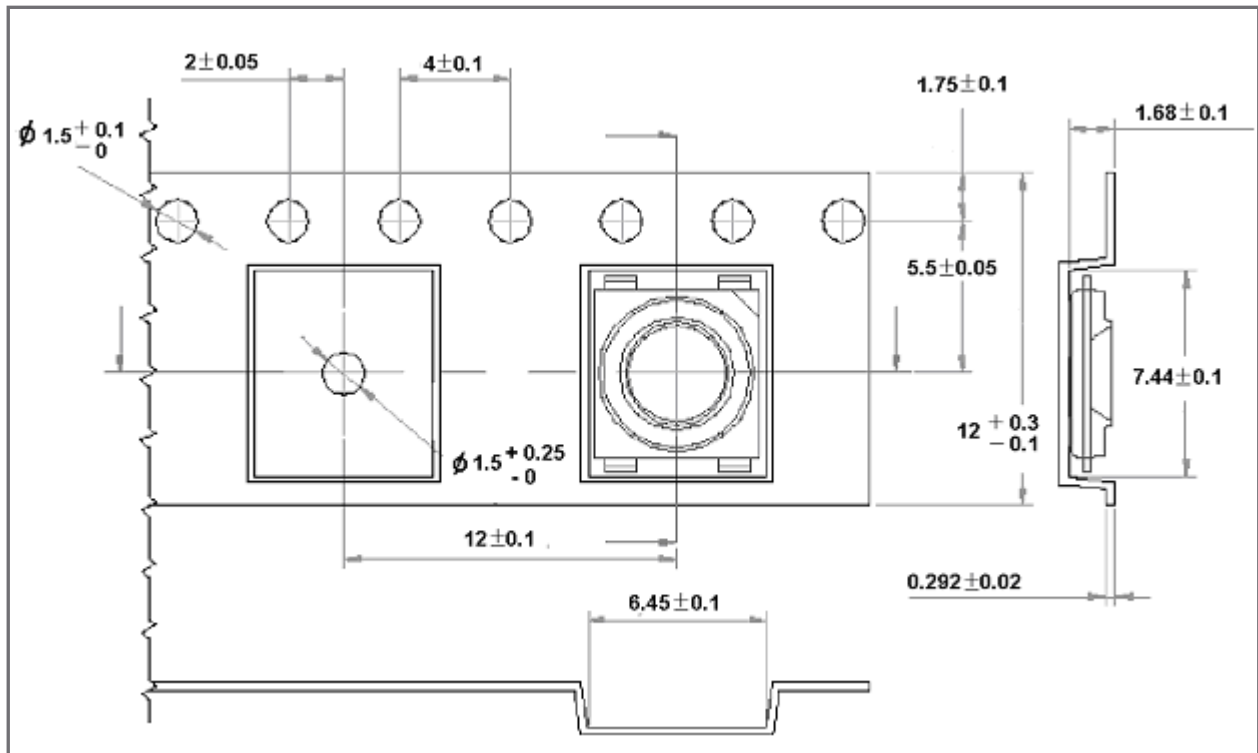
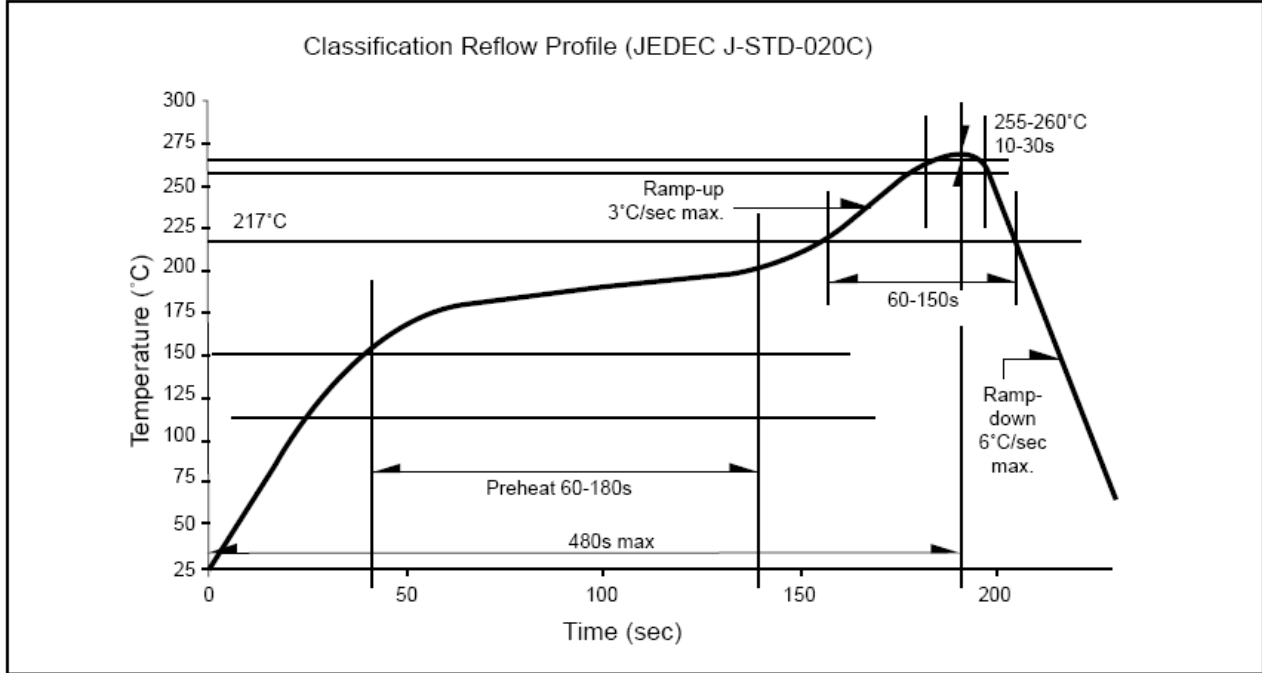
Forward Current Vs Forward Voltage



Forward Current Vs Ambient Temperature (R<sub>ja</sub>=40KW)



ChromeLED Corp. reserves the right to make changes at any time in order to supply the best product possible. The most current version of this document will always be available at: [www.chromeled.com](http://www.chromeled.com)

**SOLDERING CONDITIONS & TAPING ORIENTATION**
**RECOMMENDED Pb-Free Soldering Profile**


ChromeLED Corp. reserves the right to make changes at any time in order to supply the best product possible. The most current version of this document will always be available at: [www.chromeled.com](http://www.chromeled.com)