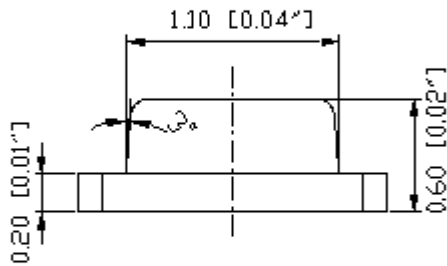
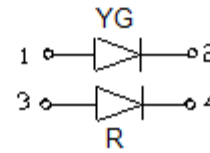
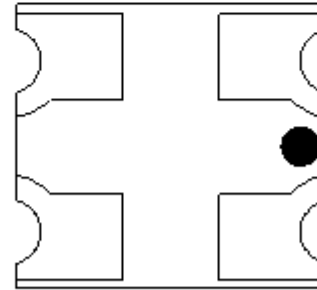
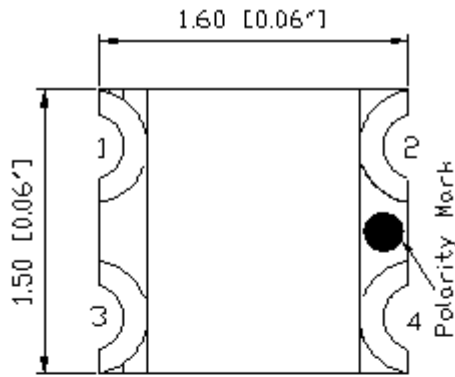
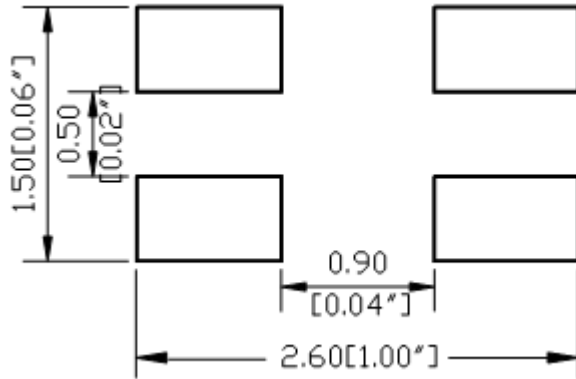


SPECIFICATIONS
CSB66R2G2C
OUTLINES DIMENSIONS

RECOMMENDED PAD LAYOUT

Notes:

1. All Dimensions are in millimeters (inches).
2. Tolerance is $\pm 0.25\text{mm}$ (0.01") unless otherwise noted.
3. Specifications are subject to change without notice.

Part Number	Chip Material	Color of Emission	Lens Type	Viewing Angle
CSB66R2G2C	InGaAIP/InGaAIP	Red/Green	Water Clear	140°



ChromeLED Corp. reserves the right to make changes at any time in order to supply the best product possible. The most current version of this document will always be available at: www.chromeled.com

ABSOLUTE MAXIMUM RATINGS
(TA=25°C)

Parameter	Symbol	Color	Max Rating	Unit
Power Dissipation	PD	Red	75	mW
		Green	75	
Pulse Current Forward Current	IFP	Red	125	mA
		Green	125	
Continuous Forward Current	IF	Red	30	mA
		Green		
Reverse Voltage	VR	5		V
Operating Temperature Range	TOPR	-40~+80		°C
Storage Temperature Range	TSTG	-40~+85		°C

IFP = Pulse Width ≤ 10 ms, Duty Ratio ≤ 1/10. Soldering Condition: 260 °C/ 5sec

OPTICAL-ELECTRICAL CHARACTERISTICS
(TA=25°C)

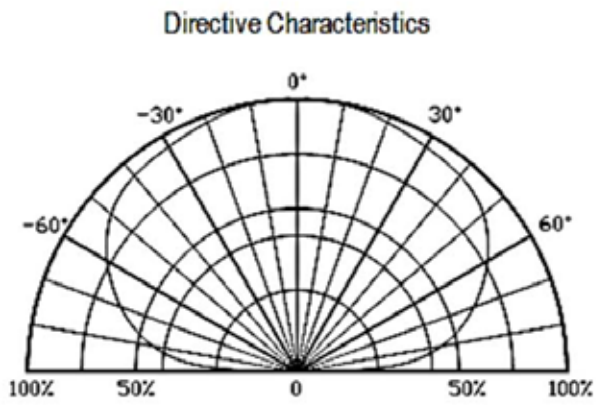
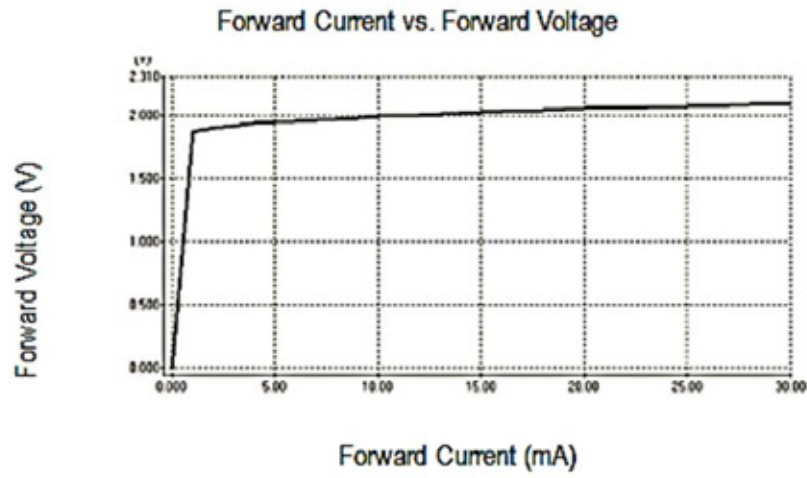
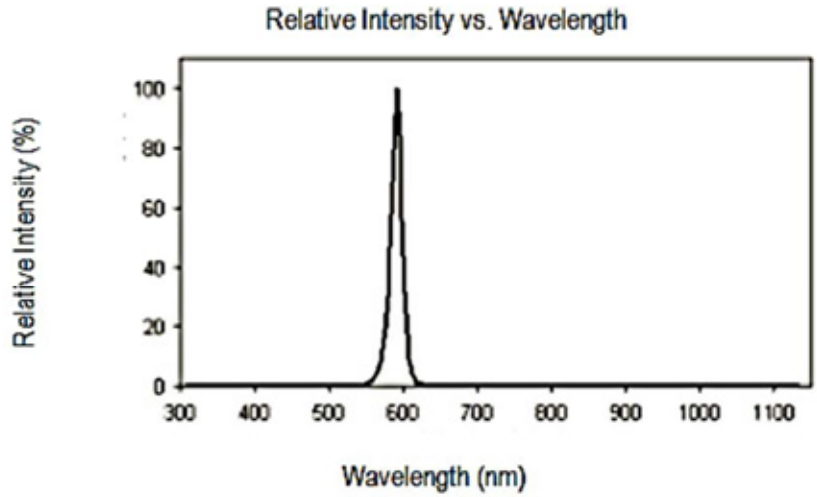
Parameter	Symbol	Test Condition	Color	Value			Unit
				Min	Typ	Max	
Luminous Intensity	IV	IF = 20mA	Red	40	70	-	mcd
			Green	25	40	-	
Forward Voltage	VF	IF = 20mA	Red	-	2.0	2.5	V
			Green	-	2.0	2.5	
Reverse Leakage Current	IR	VR = 5V	Red	-	-	10	µA
			Green	-	-	10	
Viewing Angle	2θ1/2	IF = 20mA	Red	-	140	-	deg
			Green	-	140	-	
Peak Wavelength	λP	IF = 20mA	Red	-	640	-	nm
			Green	-	572	-	
Dominant Wavelength	λD	IF = 20mA	Red	625	630	635	nm
			Green	565	570	576	

*Tolerance of viewing angle: -10 / +5 deg.



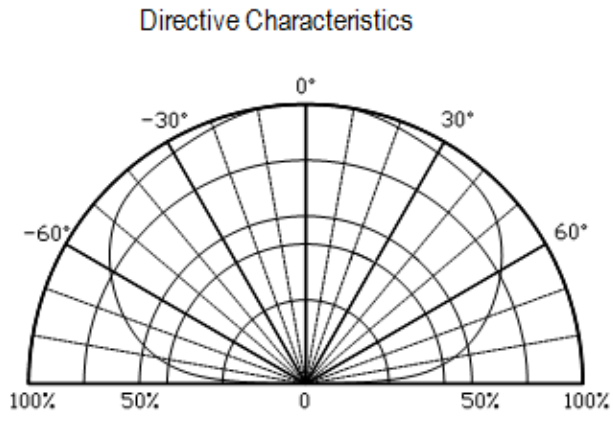
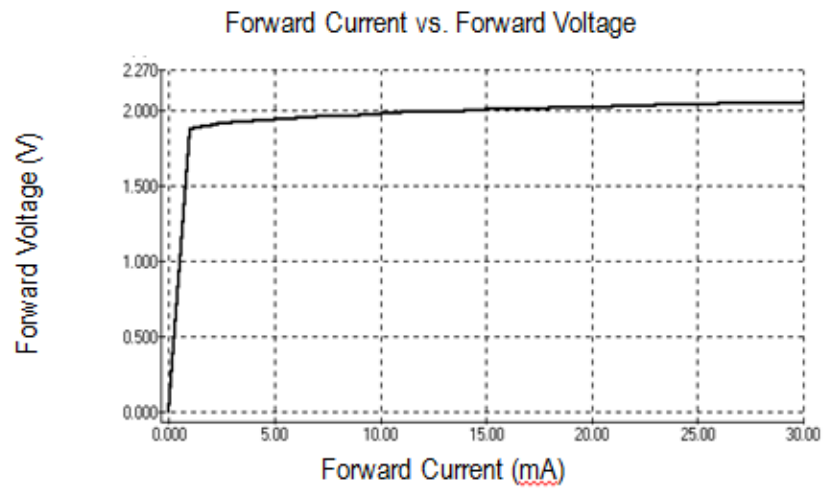
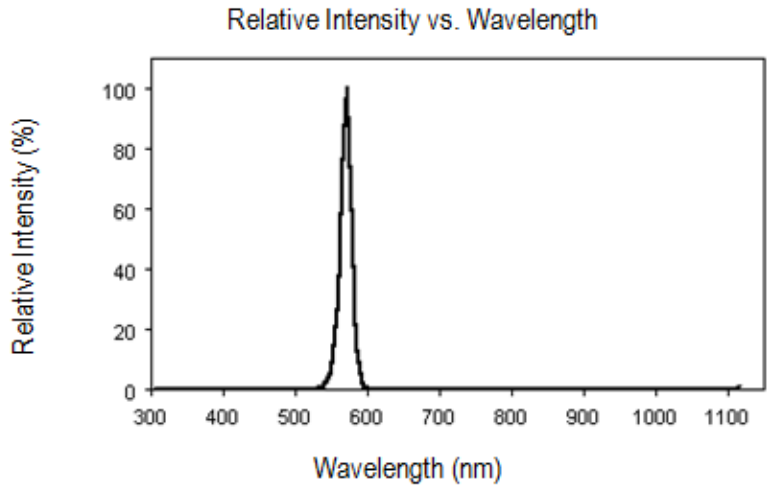
ChromeLED Corp. reserves the right to make changes at any time in order to supply the best product possible. The most current version of this document will always be available at: www.chromeled.com

OPTICAL CHARACTERISTIC CURVES (RED)

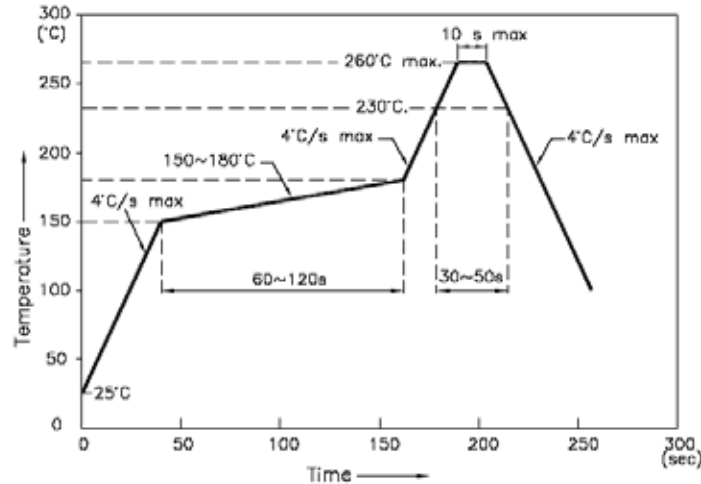


ChromeLED Corp. reserves the right to make changes at any time in order to supply the best product possible. The most current version of this document will always be available at: www.chromeled.com

OPTICAL CHARACTERISTIC CURVES (GREEN)



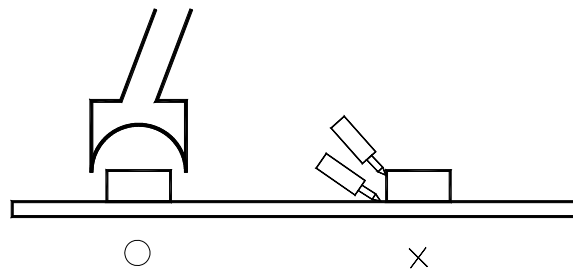
ChromeLED Corp. reserves the right to make changes at any time in order to supply the best product possible. The most current version of this document will always be available at: www.chromeled.com

SOLDERING CONDITIONS – LAMP TYPE LED
REFLOW PROFILE

NOTES:

1. We recommend the reflow temperature 245°C (±5°C). The maximum soldering temperature should be limited to 260°C.
2. Do not cause stress to the epoxy resin while it is exposed to high temperature.
3. Number of reflow process shall be 2 times or less.
 - Soldering iron
 - Basic spec is ≤ 5sec when 260°C. If temperature is higher, time should be shorter
 - (+10°C → -1sec). Power dissipation of iron should be smaller than 20W, and temperatures should be controllable. Surface temperature of the device should be under 230°C.

Rework

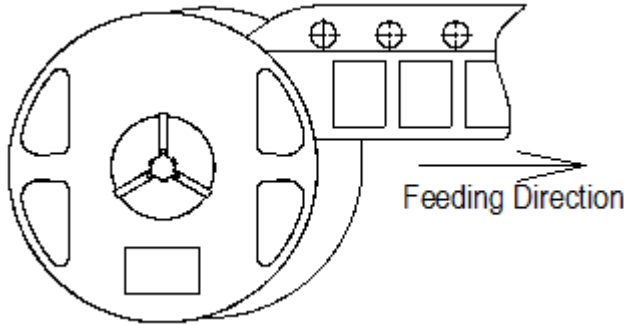
1. Customer must finish rework within 5 sec under 260°C.
2. The head of iron cannot touch copper foil
3. Twin-head type is preferred.



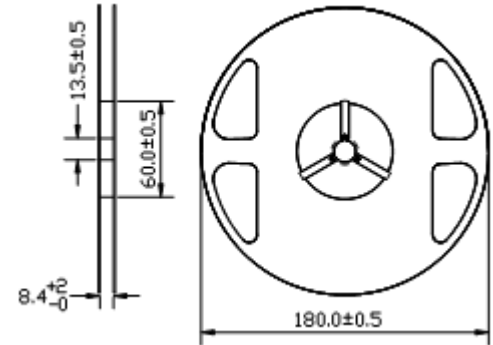
ChromeLED Corp. reserves the right to make changes at any time in order to supply the best product possible. The most current version of this document will always be available at: www.chromeled.com

PACKAGING SPECIFICATIONS

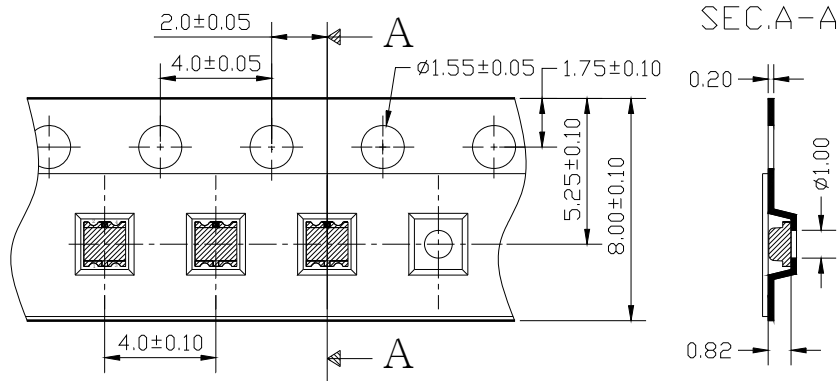
Feeding Directions



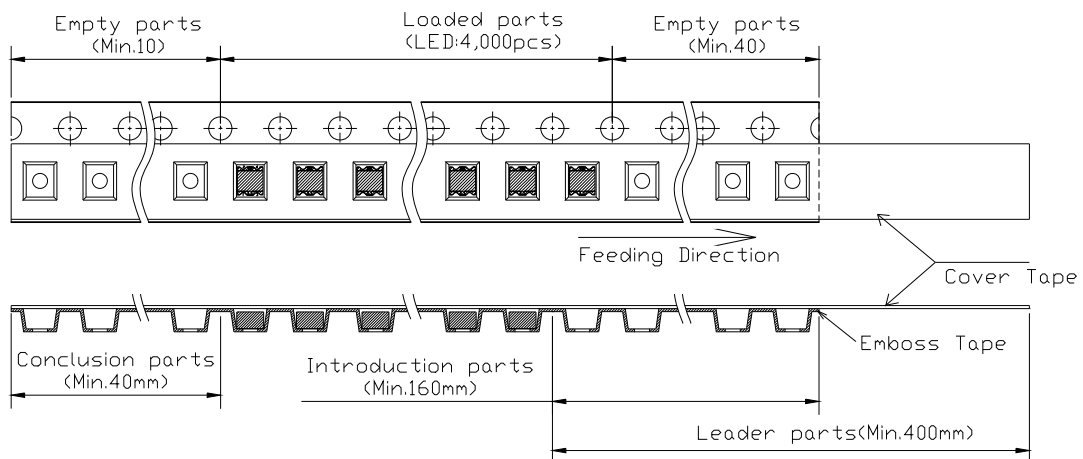
Dimensions of Reel (unit: mm)



Dimensions of Tape (unit: mm)



Arrangement of Tape



Notes:

1. Empty component pockets are sealed with top cover tape;
2. The maximum number of missing lamps is two;
3. 4,000 pcs/Reel



ChromeLED Corp. reserves the right to make changes at any time in order to supply the best product possible. The most current version of this document will always be available at: www.chromeled.com