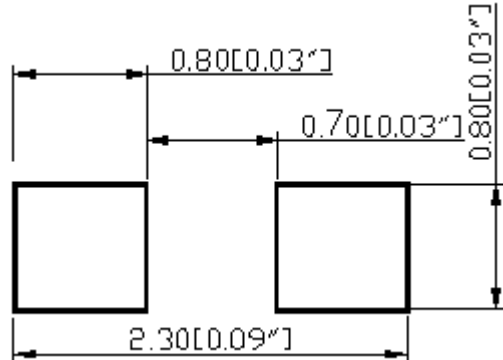
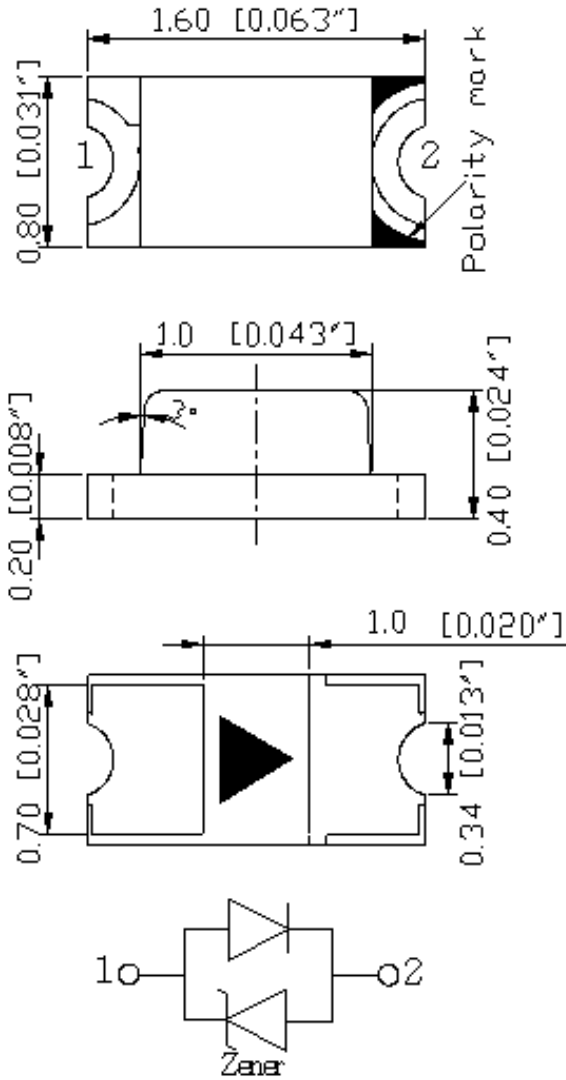


SPECIFICATIONS **CS63CW2ZC**

PACKAGE OUTLINES



ITEM	MATERIALS
Resin (mold)	Epoxy
Lens color	Yellow Diffused
Dice	InGaN
Emitted color	White

Notes:
 1. All dimensions are in millimeters (inches);
 2. Tolerances are ±0.2mm (0.008 inch) unless otherwise noted.

Part Number	Chip Material	Color of Emission	Lens Type	Viewing Angle
CS63CW2ZC	InGaN	White	Yellow Diffused	140°



ChromeLED Corp. reserves the right to make changes at any time in order to supply the best product possible. The most current version of this document will always be available at: www.chromeled.com

ABSOLUTE MAXIMUM RATINGS
(TA=25°C)

Parameter	Symbol	Value	Unit
Forward current	If	20	mA
Reverse current @ 5V * 1	Ir	50	μA
Power dissipation	Pd	80	mW
Operating temperature range	Top	-40 ~+85	°C
Storage temperature range	Tstg	-40 ~+90	°C
Peak pulsing current (1/10 duty @ 10KHz)	Ifp	100	mA

OPTICAL-ELECTRICAL CHARACTERISTICS
(TA=25°C)

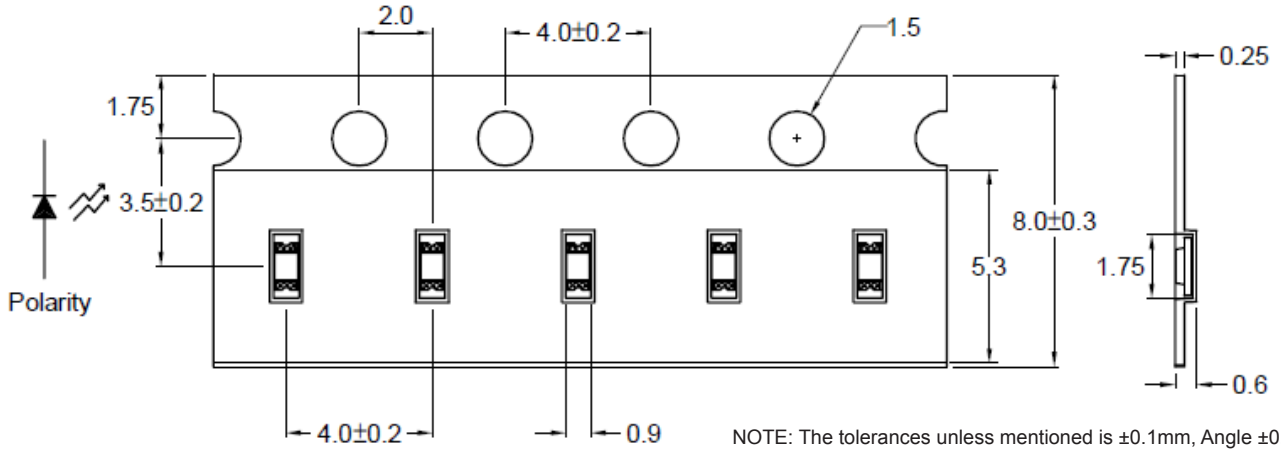
Parameter	Test Condition	Symbol	Value			Unit
			Min	Typ	Max	
CIE Coordinates	If=20mA	X	0.21	--	0.35	--
		Y	0.15	--	0.40	
Forward voltage	If=20mA	Vf	--	3.5	4.0	v
Luminous intensity	If=20mA	Iv	80	200	--	mcd
Viewing angle at 50% Iv	If=20mA	2θ1/2	--	140	--	Deg
Spectral Line Half-Width	If=20mA	Δλ	--	30	--	nm

*NOTE: 1. Product with zener diode is needed to discriminate the characteristics of product by fixing current and measuring voltage.
2. The luminous intensity tolerance is ±15%.

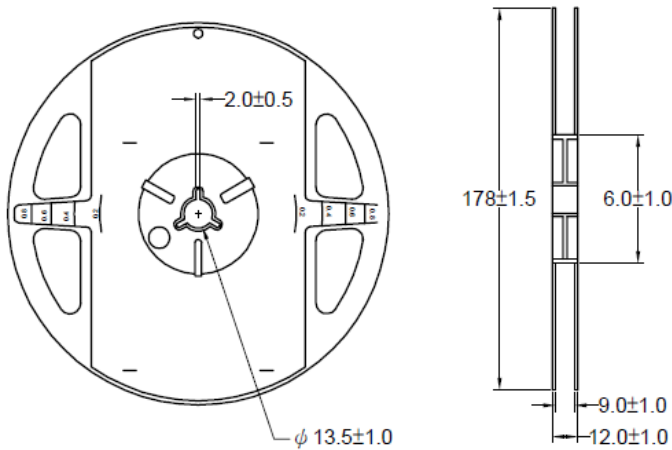


ChromeLED Corp. reserves the right to make changes at any time in order to supply the best product possible. The most current version of this document will always be available at: www.chromeled.com

DIMENSIONS OF TAPE (Unit: mm)



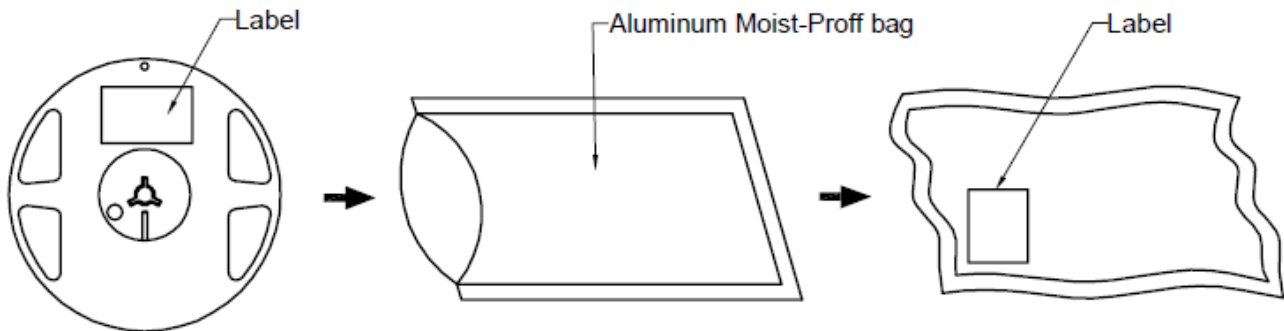
REEL DIMENSIONS



NOTES:

1. Empty component pockets are sealed with top cover tape;
2. The maximum number of missing lamps is two;
3. The cathode is oriented towards the tape sprocket hole.
4. 4,000pcs/Reel

PACKAGING SPECIFICATION



ChromeLED Corp. reserves the right to make changes at any time in order to supply the best product possible. The most current version of this document will always be available at: www.chromeled.com

Chromaticity Coordinates Specifications for Bin Grading

BIN	X	Y	BIN	X	Y	BIN	X	Y
A1	0.21	0.190	B1	0.26	0.265	C1	0.31	0.340
	0.21	0.150		0.26	0.225		0.31	0.300
	0.22	0.165		0.27	0.240		0.32	0.315
	0.22	0.205		0.27	0.280		0.32	0.355
A2	0.22	0.205	B2	0.27	0.280	C2	0.32	0.355
	0.22	0.165		0.27	0.240		0.32	0.315
	0.23	0.180		0.28	0.255		0.33	0.330
	0.23	0.220		0.28	0.295		0.33	0.370
A3	0.23	0.220	B3	0.28	0.295	C3	0.33	0.370
	0.23	0.180		0.28	0.255		0.33	0.330
	0.24	0.195		0.29	0.270		0.34	0.345
	0.24	0.235		0.29	0.310		0.34	0.385
A4	0.24	0.235	B4	0.29	0.310	C4	0.34	0.385
	0.24	0.195		0.29	0.270		0.34	0.345
	0.25	0.210		0.30	0.285		0.35	0.360
	0.25	0.250		0.30	0.325		0.35	0.400
A5	0.25	0.250	B5	0.30	0.325			
	0.25	0.210		0.30	0.285			
	0.26	0.225		0.31	0.300			
	0.26	0.265		0.31	0.340			



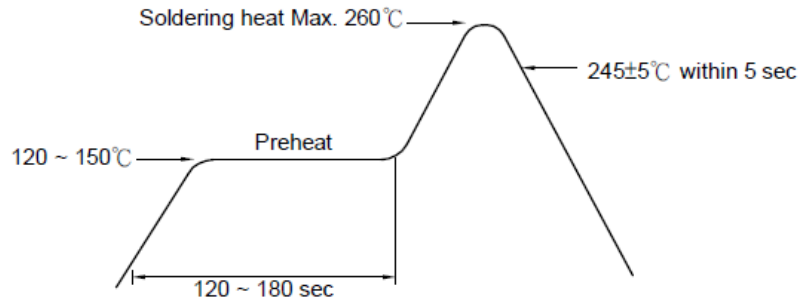
ChromeLED Corp. reserves the right to make changes at any time in order to supply the best product possible. The most current version of this document will always be available at: www.chromeled.com

SOLDERING CONDITIONS – LAMP TYPE LED

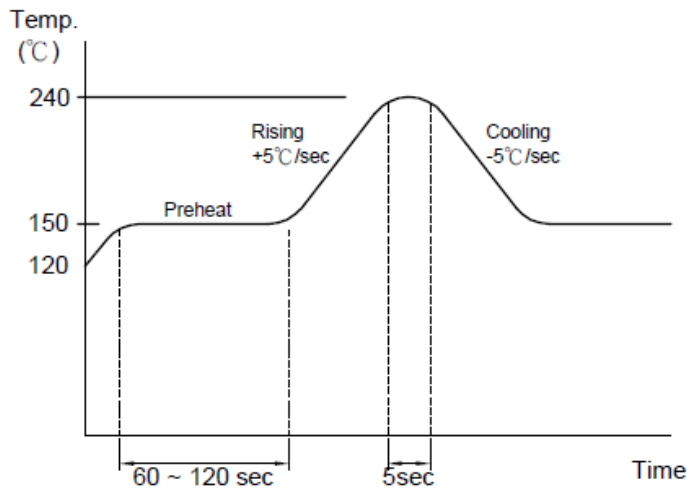
1. Hand Solder

Basic spec is $\leq 280^{\circ}\text{C}$ 3 sec one time only.

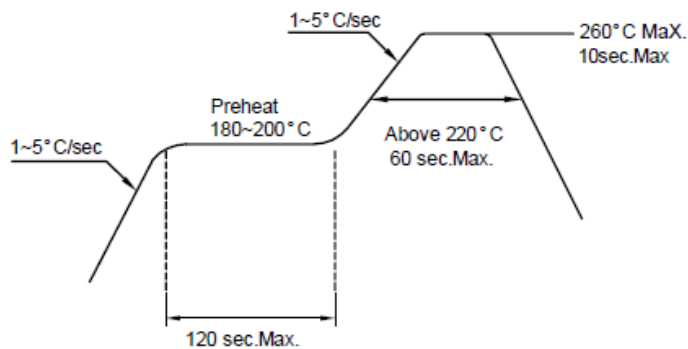
2. Wave Solder



3-1. LEAD Reflow Solder



3-2 PB-Free Reflow Solder



Reflow Soldering should not be done more than two times.



ChromeLED Corp. reserves the right to make changes at any time in order to supply the best product possible. The most current version of this document will always be available at: www.chromeled.com