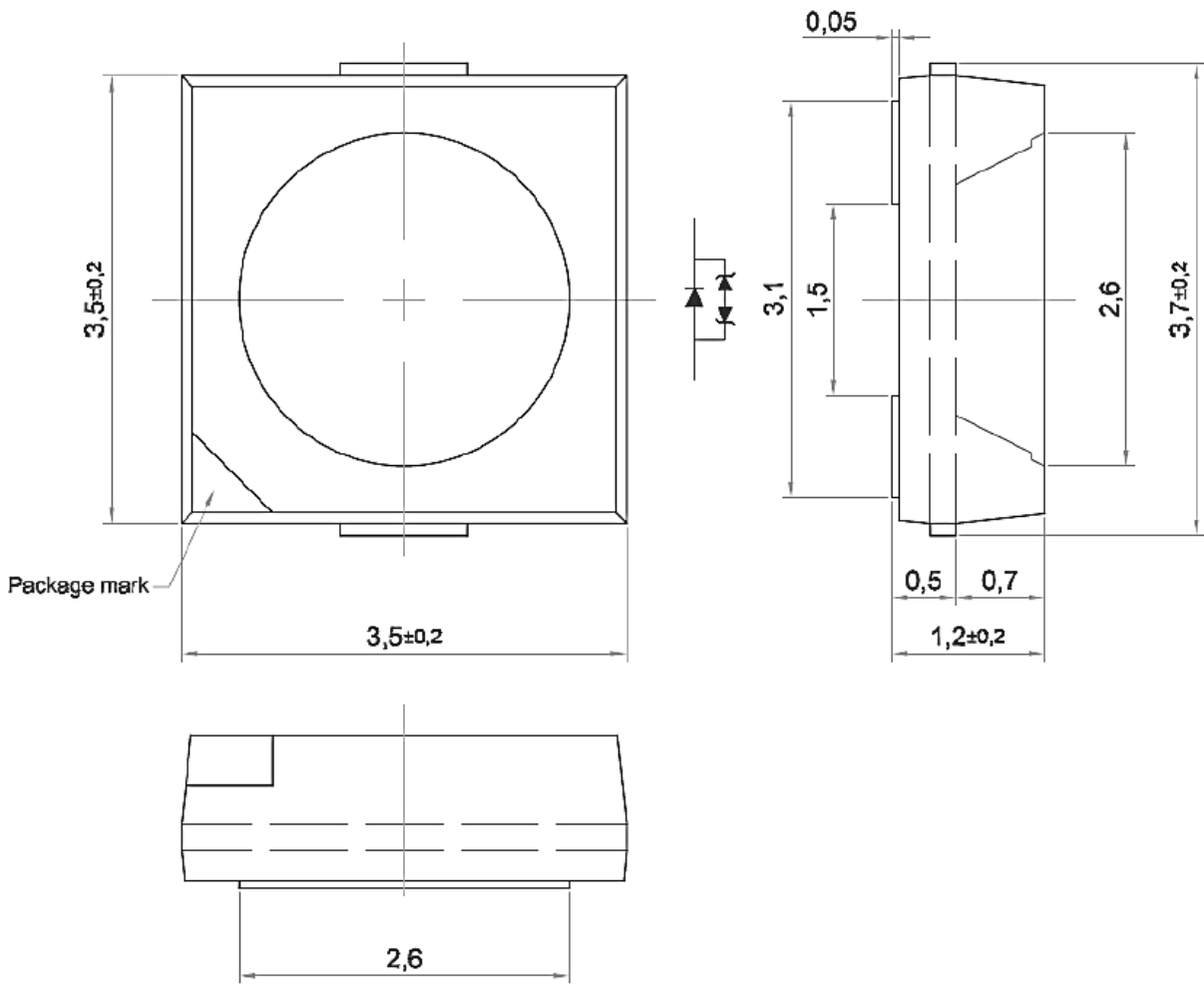


SPECIFICATION **CSH3537NW2ZC**
PACKAGE OUTLINES


- Notes:
1. All dimensions are in millimeters (inches).
 2. Tolerance is ± 0.25 mm (0.01") unless otherwise noted.
 3. Specifications are subject to change without notice.

Part Number	Chip Material	Color of Emission	Lens Type	Viewing Angle
CSH3537NW2ZC	InGaN	White	Yellow	120°



ChromeLED Corp. reserves the right to make changes at any time in order to supply the best product possible. The most current version of this document will always be available at: www.chromeled.com

ABSOLUTE MAXIMUM RATINGS
(TA=25°C)

Parameter	Symbol	Max Rating	Unit
Forward Current	IF	180	mA
ESD Threshold (HBM)	-	2000	V
LED Junction Temperature	-	125	°C
Operating Temperature Range	TOP	-40~+100	°C
Storage Temperature Range	TSTG	-40~+100	°C
Peak Pulsing Current (1/10 duty f = 10KHz)	IFP	350	mA
Soldering Temperature	TSOL	Max 260°C for 5 sec Max	

OPTICAL-ELECTRICAL CHARACTERISTICS
(TA=25°C)

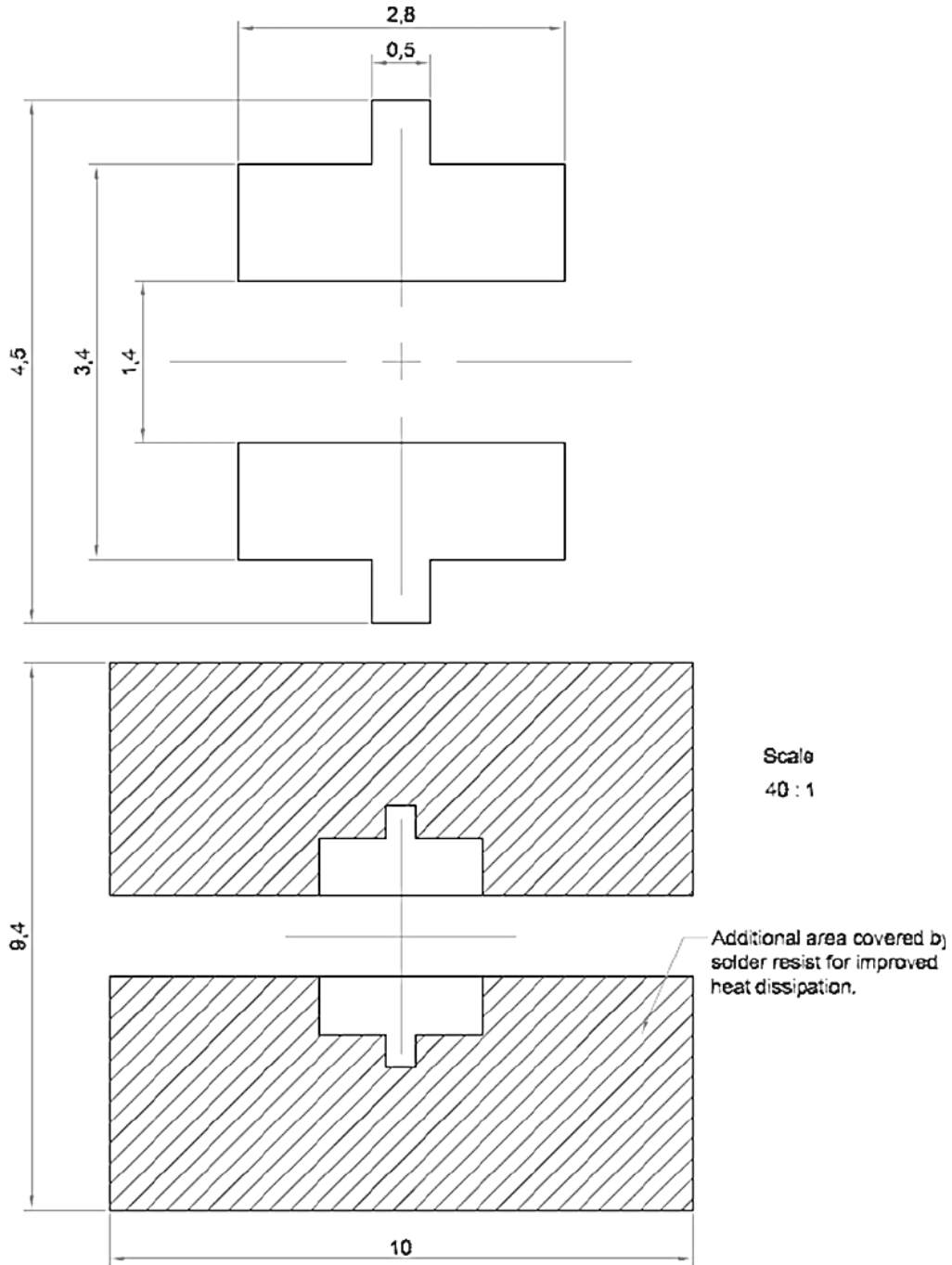
Parameter	Symbol	Test Condition	Value			Unit
			Min	Typ	Max	
Luminous Intensity	Iv	IF = 150mA	39.8	51.7	-	lm
Reverse Leakage Current	IR	VR = 5V	-	-	10	µA
Forward Voltage	VF	IF = 150mA	-	3.3	3.6	V
Viewing Angle at 50% Iv	2θ1/2	IF = 150mA	-	120	-	Deg
Chromaticity Coordinates	X	IF = 150mA	-	0.39	-	-
	Y		-	0.39	-	-

*Tolerance of viewing angle: -10 / +5 deg.



ChromeLED Corp. reserves the right to make changes at any time in order to supply the best product possible. The most current version of this document will always be available at: www.chromeled.com

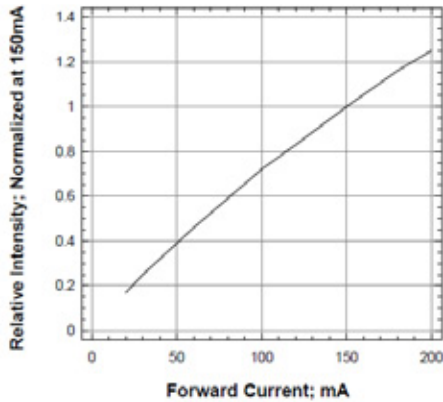
RECOMMENDED SOLDER PAD DESIGN



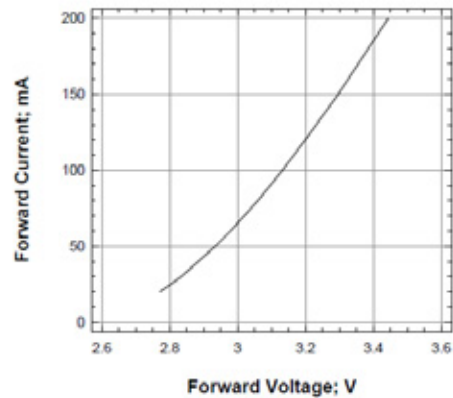
ChromeLED Corp. reserves the right to make changes at any time in order to supply the best product possible. The most current version of this document will always be available at: www.chromeled.com

OPTICAL CHARACTERISTIC CURVES

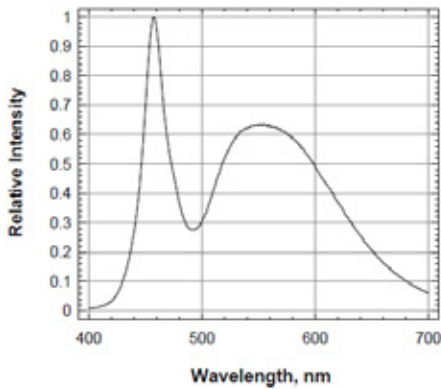
Relative Intensity Vs Forward Current



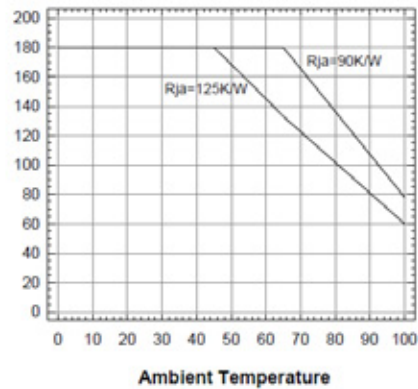
Forward Current vs Forward Voltage



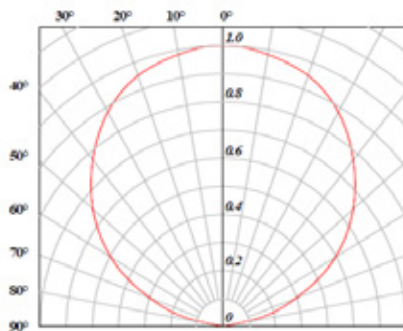
Relative Intensity Vs Wavelength



Forward Current Vs Ambient Temperature



Radiation Pattern

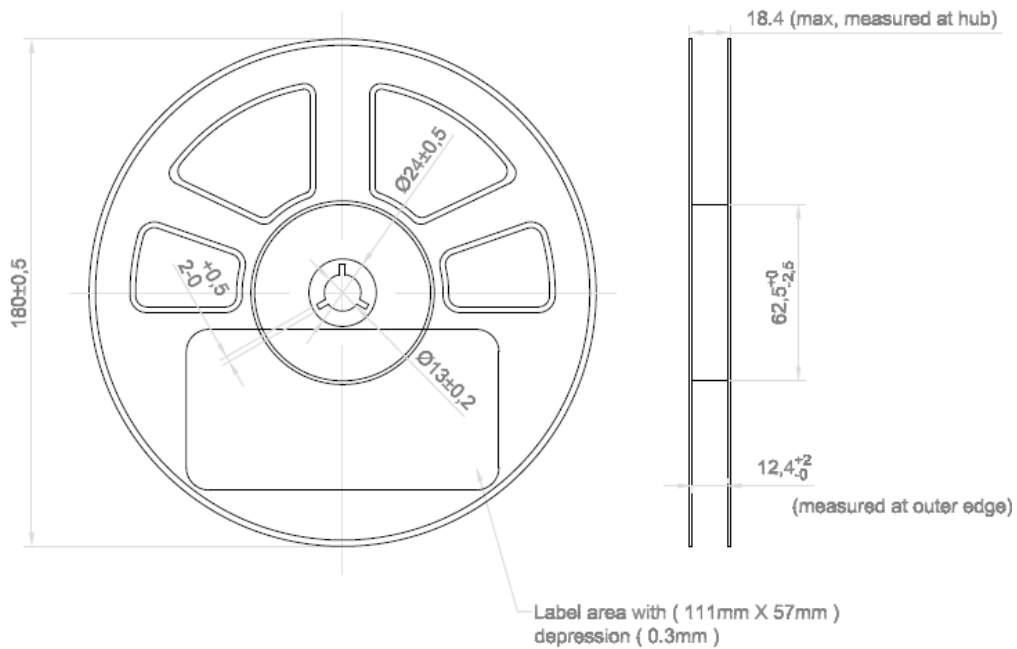
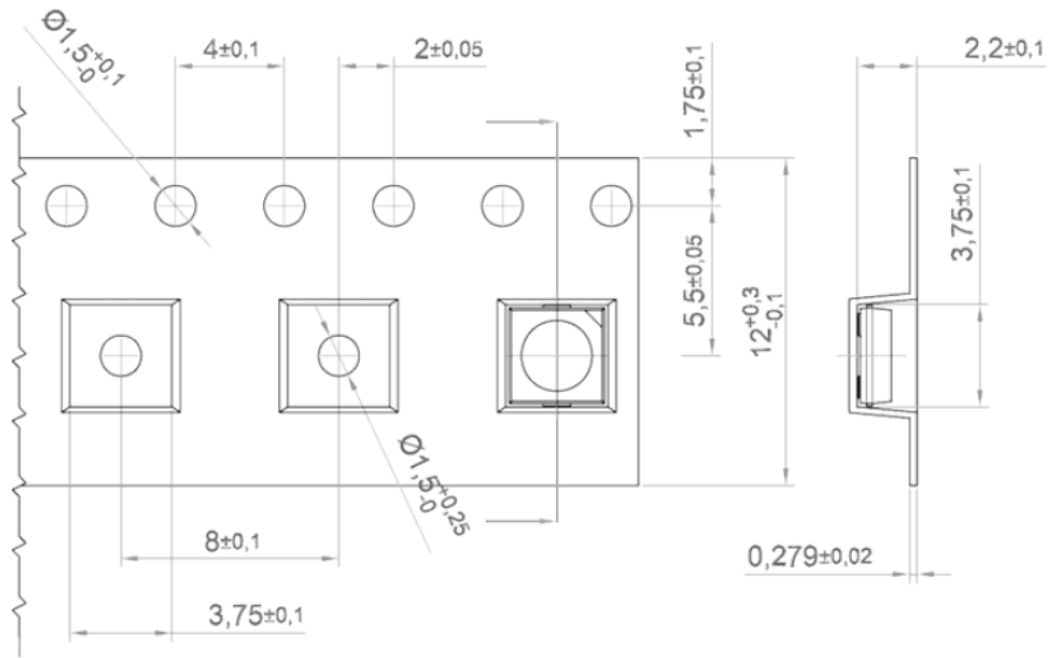


ChromeLED Corp. reserves the right to make changes at any time in order to supply the best product possible. The most current version of this document will always be available at: www.chromeled.com

PACKAGING SPECIFICATION

TAPING AND ORIENTATION

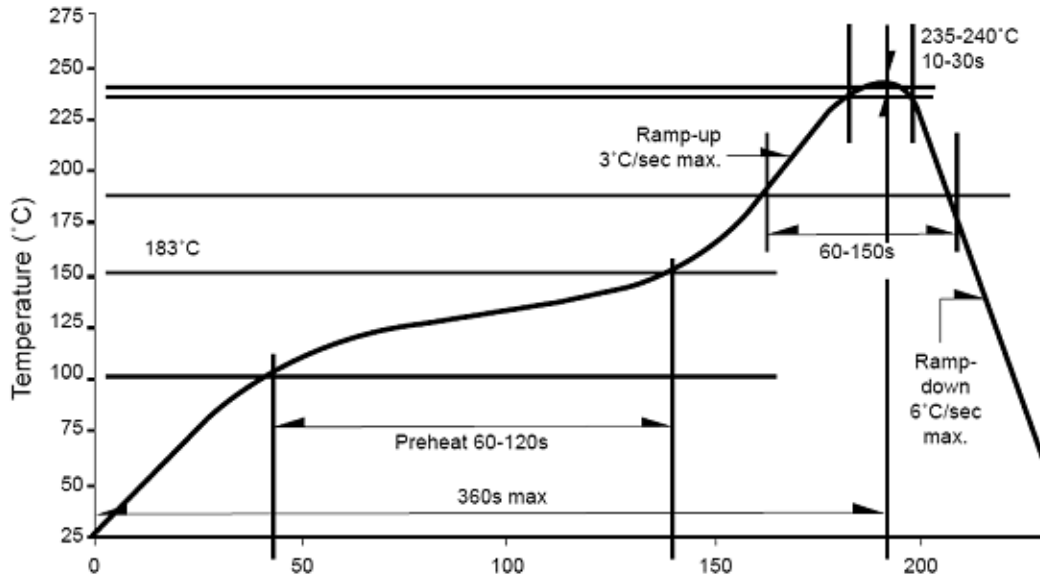
Reels come in quantity of 1000 units. Reel diameter is 180mm.



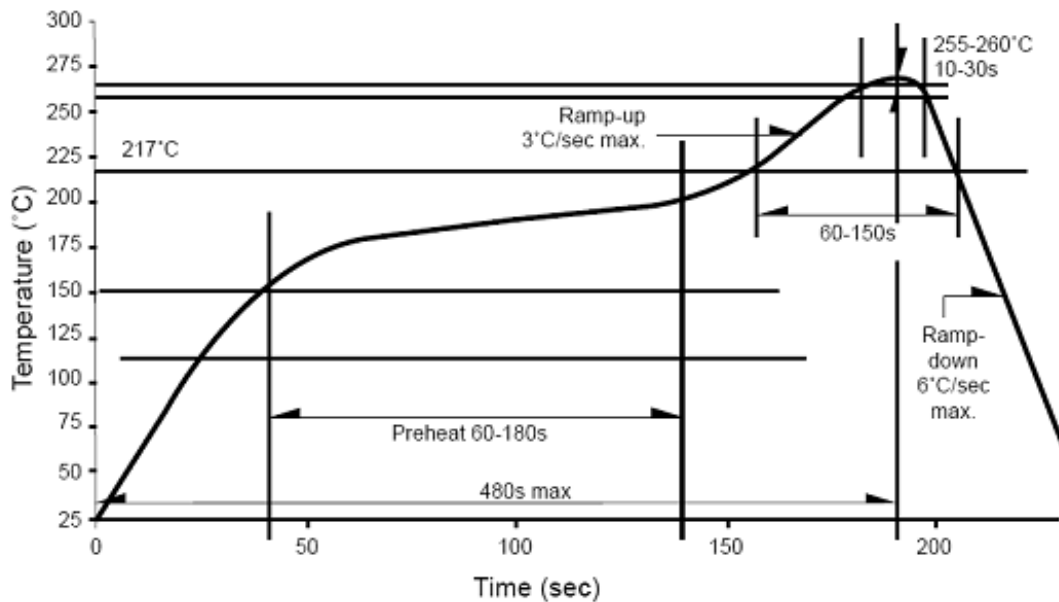
ChromeLED Corp. reserves the right to make changes at any time in order to supply the best product possible. The most current version of this document will always be available at: www.chromeled.com

SOLDERING CONDITIONS

RECOMMENDED Sn-Pb IR-REFLOW SOLDERING PROFILE Classification Reflow Profile (JEDEC J-STD-020C)



RECOMMENDED Pb-FREE IR-REFLOW SOLDERING PROFILE Classification Reflow Profile (JEDEC J-STD-020C)



ChromeLED Corp. reserves the right to make changes at any time in order to supply the best product possible. The most current version of this document will always be available at: www.chromeled.com